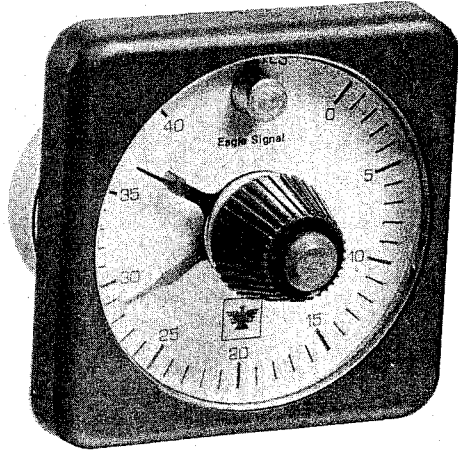
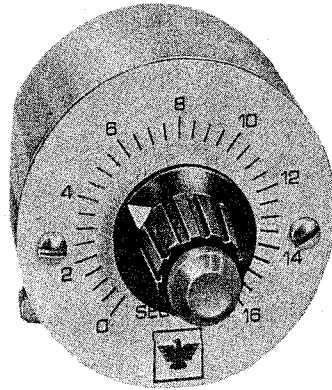




MODEL 191 PUSH BUTTON RESET TIMERS



Standard



"01"
Feature

... Provides an accurate, adjustable time delay or timed interval for control of a load circuit ... Push Button to start.

OPERATION

The Model 191 is a push button start, motor driven timer with cycle progress pointer, double make-double break snap action switch and is used to energize a load for a preset time period. The push button is located in the center of the time set pointer knob on the panel mounted dial. When depressed momentarily, a mechanical latch and switch is engaged, starting the motor and timing period. After completion of timing, switch 3 and 4 open, 1 and 2 close, motor stops, and timer resets to set point. Timer is now ready for another timing operation.

The standard timer has cycle progress and a 3-5/8" square bezel with window. The "01" feature does not include cycle progress indicator or bezel and window assembly.

SPECIFICATIONS

Dial Ranges

Symbol	Time Range	Dial Divisions
02	16 second	1/2 second
04	80 second	2 second
05	160 second	5 second
06	8 minute	15 second
07	16 minute	30 second
08	40 minute	1 minute
09	80 minute	2 minute
11	8 hour	15 minute
12	16 hour	30 minute

Voltage/Frequency

120 V (+10, -15%) 50/60 Hz
240 V (+10, -15%) 50/60 Hz

Contact Rating (Resistive)

10 Amperes 120/240 V

Repeat Accuracy

1 1/2% of full scale

Setting Accuracy

1 1/2% of full scale

Termination

Motor - Loose Leads; 20 Ga. 6" long stripped 5/8"
Switch - .188x.250x.020 Quick Connect Tabs

Burden

120VAC/3Watts
240VAC/3Watts

Laboratory Testing

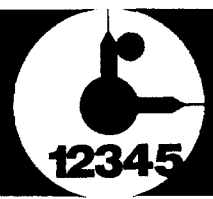
U.L. Recognition E-61735
C.S.A. Certification LR-27967



Eagle Signal Controls

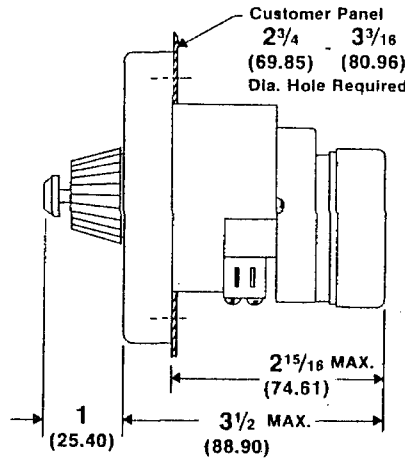
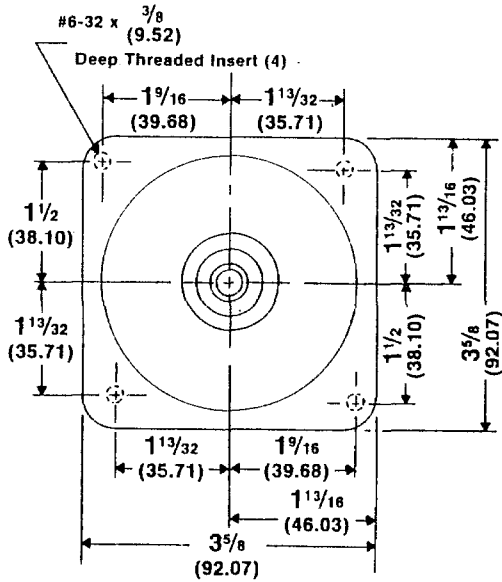
A Division of Mark IV Industries, Inc.
8004 Cameron Road, Austin, Texas 78753 U.S.A.

TIME CONTROL

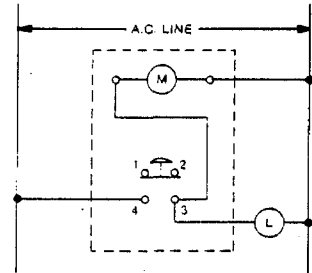


MOUNTING DIMENSIONS

Standard Timer

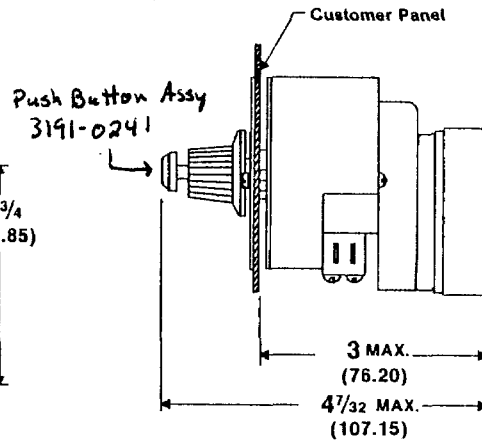
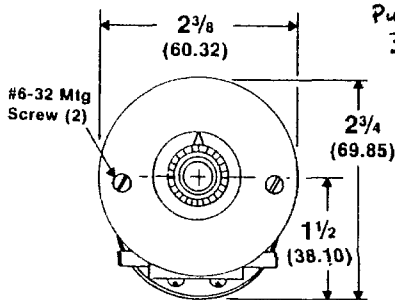


WIRING DIAGRAM

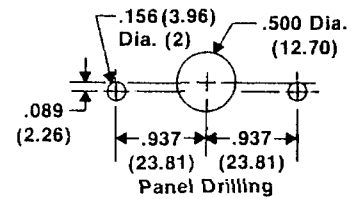


By placing a jumper between terminals 1 and 4 of switch, a form "C" SPDT switch is obtained. When manually depressed, push-button switch is mechanically latched in the "4-3" closed position. At time out, latch is released and "4-3" opens.

"01" Feature Timer



XXX = Inches
(XXX) = Millimeters



ORDERING INFORMATION

TIME RANGE		191	04	A6	01	FEATURES	
SYMBOL	DESCRIPTION					SYMBOL	DESCRIPTION
02	16 Second					01	Timer with exposed dial - no cycle progress. Two tapped hole mounting.
04	80 Second						
05	160 Second						
06	8 Minute						
07	16 Minute						
08	40 Minute						
09	80 Minute						
11	8 Hour						
12	16 Hour						
						VOLTAGE/FREQUENCY	
						SYMBOL	DESCRIPTION
						A5	120V 50Hz
						A6	120V 60Hz
						B5	240V 50Hz
						B6	240V 60Hz