

## Measuring Wheels

Our measuring wheels are diecast and machined to the highest standards of quality. Circumferences of 1 foot, and 1/3 meter are standard, and are accurate to  $\pm 0.1\%$  of stated size. Two bore sizes are provided, which fit most mechanical counters with 5/16" (6.4 mm) or 1/4" (8.0 mm) diameter shafts. Recessed set-screws secure the wheel firmly to the shaft. Choose from 1/2" (12.7 mm) or 1" (25.4 mm) width – rubber, smooth aluminum, or knurled aluminum contact surfaces, for the most reliable contact with the measured material. A special purpose tapered grooved wheel (1/2" width only) is ideal for accurate measurement of materials such as thread, wire, rope, braid, and cable, from smallest diameter to more than 1/4" (6.4 mm) diameter.

When used with counters with 1:1 or 1:10 drive ratios, these wheels will produce highly accurate resolutions of 1 foot or 1/10 foot. With geared drive counters, resolution of yards, or 1/8 yard is possible. 1/3 meter wheels are typically used with 3:1 drive ratio counters, for resolution of meters.



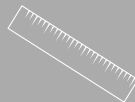
- Stable diecast/machined aluminum construction
- Fits shafts of many mechanical counters
- Choice of width and surface for optimum surface contact
- Measure cloth, paper, metal, foil, film, wood, and other materials
- Accurate to  $\pm 0.1\%$  of measured length
- 1 foot wheel for measurement in feet or with geared counter, yards
- 1/3 meter wheel for measurement in meters with geared counter
- Special grooved model for wire, cable, thread, and similar materials



TIME



COUNT



MEASURE

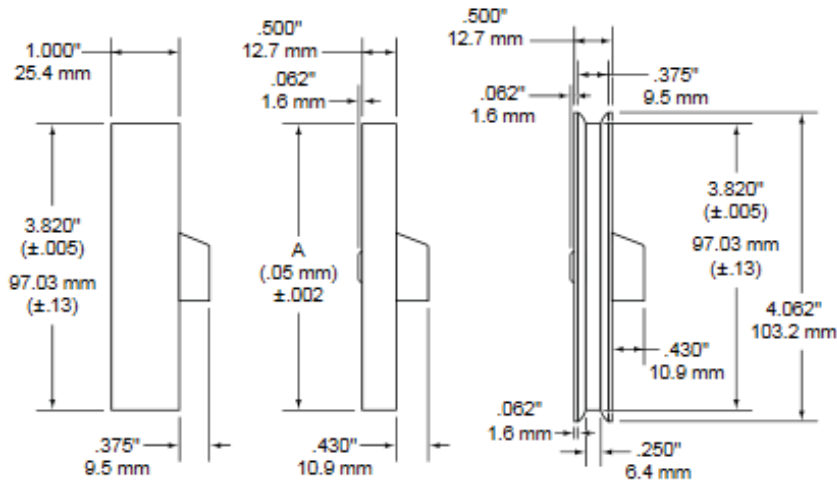
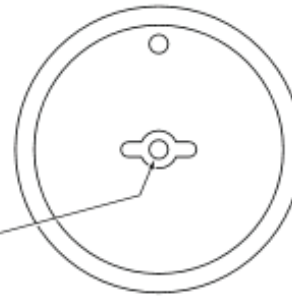
8:43

DISPLAY

# Measuring Wheels

## DIMENSIONS

Circumference	Diameter A
1 Foot	3.820" (97.03 mm)
1/3 Meter	4.177 (106.1 mm)



## ORDERING INFORMATION

### 1 Foot Circumference

15537-070	Rubber, 1/2" wide, 0.251" center bore	15537-510	Knurled, 1/2" wide, 0.251" center bore
15537-530	Rubber, 1" wide, 0.251" center bore	15537-535	Knurled, 1" wide, 0.251" center bore
317680-001	Rubber, 1/2" wide, 0.313" center bore	317628-001	Knurled, 1/2" wide, 0.313" center bore
317678-001	Rubber, 1" wide, 0.313" center bore	317679-001	Knurled, 1" wide, 0.313" center bore
15537-095	Smooth, 1/2" wide, 0.251" center bore	15537-187	Grooved, 1/2" wide, 0.251" center bore
15537-525	Smooth, 1" wide, 0.251" center bore	317682-001	Grooved, 1/2" wide, 0.313" center bore
317681-001	Smooth, 1/2" wide, 0.313" center bore		
317677-001	Smooth, 1" wide, 0.313" center bore		

### 1/3 Meter Circumference

407186-009	Rubber, 1/2" wide, 0.251" center bore
407186-014	Rubber, 1/2" wide, 0.313" center bore