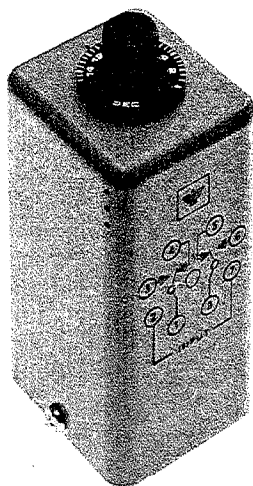


CG900 SERIES TIME DELAY RELAY



The CG900 series is a delay timer available in 19 time ranges from 0.5 seconds to 30 hours. The timer uses CMOS integrated circuits for the timing function. The desired delay time is set by the adjustment of a calibrated knob referenced to an index mark on the housing. At time out, a DPDT relay is actuated for control of output loads.

The CG900 timer is housed in a molded Noryl® Case which provides high impact resistance and self extinguishing in case of fire or excessive heat. All external connections are made to the standard 8-pin octal relay base. An optional hold-down clamp is available for use with installations requiring horizontal mounting or exhibiting excessive vibration.

OPERATION

The timing base for the CG900 series timer is established by a precision capacitor and the adjustable dial potentiometer. The technology utilized in the CG900 series provides accurate control over extended time ranges to 30 hours.

Delay time starts upon application of power to the timer input terminals. At time out, the delay contacts transfer. Reset occurs whenever power is removed from the control input.

SPECIFICATIONS

Time Ranges

Catalog Symbol	Dial Range	Minimum Setting	Catalog Symbol	Dial Range	Minimum Setting
05	0.5 Sec	50 MS	16	4 Min	7.2 Sec
06	1 Sec	50 MS	17	8 Min	14.4 Sec
07	2 Sec	60 MS	20	15 Min	27 Sec
10	3.5 Sec	105 MS	21	30 Min	54 Sec
11	7.5 Sec	225 MS	22	60 Min	108 Sec
12	15 Sec	450 MS	23	120 Min	216 Sec
13	30 Sec	900 MS	24	4 Hr	7.2 Min
14	60 Sec	1.8 Sec	25	8 Hr	14.4 Min
15	120 Sec	3.6 Sec	26	15 Hr	27 Min
			27	30 Hr	54 Min

Stability

Within ± 10% of Maximum Range

Repeatability (Constant Voltage & Temperature)

± 1% or 25 ms typical

Repeatability (Voltage & Temperature Variation)

Variable Voltage ± 1% of setting or 25 ms

Variable Temperature ± 2% of setting or 25 ms

Reset Time

50 ms

Minimum Setting

3.0% of full scale or 50 ms whichever is greater

Voltage & Frequency

10.2 - 13.2 VAC, 50/60 Hz or 12 VDC

20.4 - 26.4 VAC, 50/60 Hz or 24 VDC

40.8 - 52.8 VAC, 50/60 Hz or 48 VDC

102 - 132 VAC, 50/60 Hz or 120 VDC

204 - 264 VAC, 50/60 Hz or 240 VDC

Burden

120 VAC or DC

240 VAC or DC

Timing

8 VA Max

1.7 VA Max

Timed-Out

2.5 VA Max

5.2 VA Max

Output Rating

Relay - 10 amp steady state at 120 VAC or 28 VDC. See current derating curve for higher values of DC voltage.

Mechanical Lifetime - Over 20 million operations

Electrical Lifetime - Contingent on load characteristics

Power Interruption

Line voltage interruptions of 16.67ms or less will not reset unit

Power On Response

20ms Max after application of line voltage to terminals 2 & 7

Operating Temperature

0 to 60°C (+32 to 140°F)

Transient Voltage Immunity

Performance unaffected by 50us, 600V peak transients superimposed on line input

Vibration

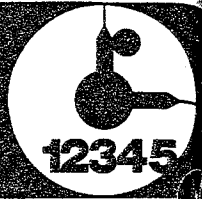
Unaffected by 2.5G sinusoidal vibration magnitudes in both directions of three perpendicular mounting axes imposed from 10 to 900 Hz

Laboratory Testing

U.L. Recognition E-79139

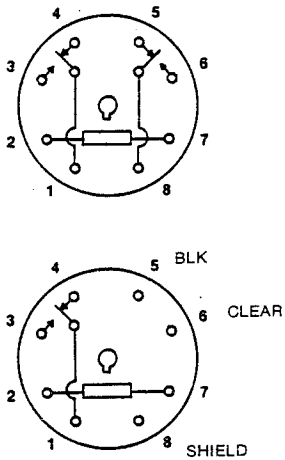
GW Eagle Signal
Industrial Controls
A DIVISION OF GULF-WESTERN MANUFACTURING COMPANY
736 Federal Street, Davenport, Iowa 52803

TIME CONTROL



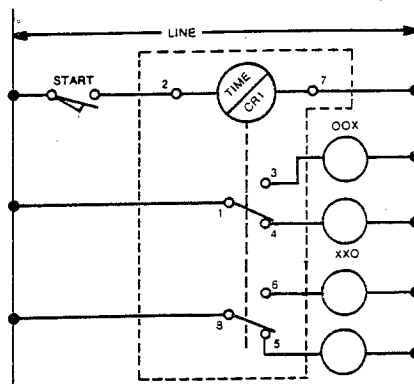
CG900 ELECTRICAL DATA

Terminal Configuration



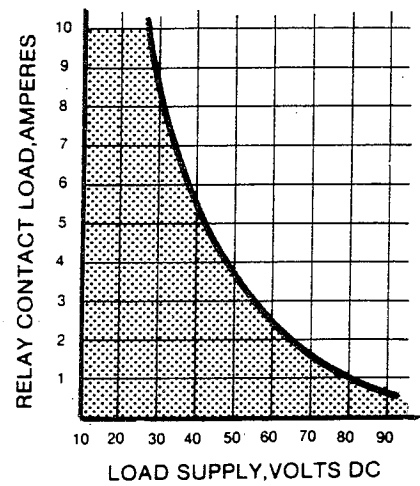
02 — REMOTE POT
USE WITH CG900-6 REMOTE POT KIT.

Schematic Diagram

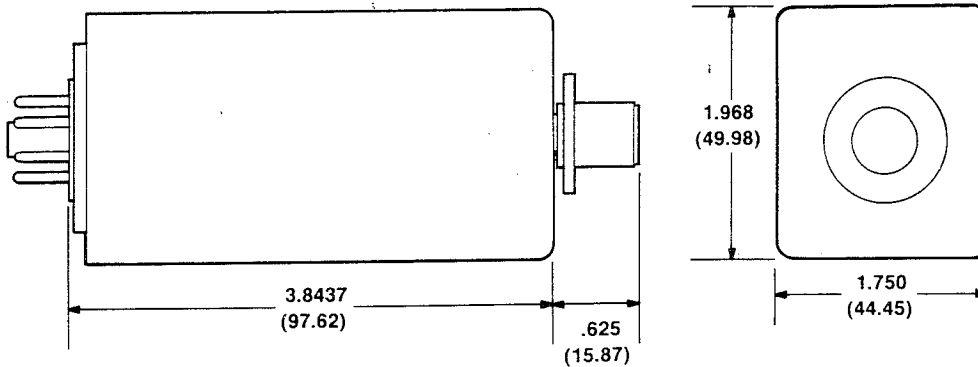


NOTE: Schematic diagram is for typical application with 120 VAC supplying both control input and load power. When control input and load voltages differ, this diagram must be modified to separate the two voltage sources.

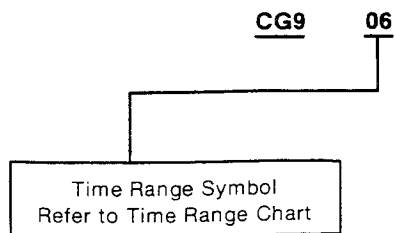
Output Derating Data



MOUNTING DIMENSIONS



ORDERING INFORMATION



SYMBOL	CONTROL VOLTAGE
A3	120 VAC or DC
B3	240 VAC or DC
X3	12 VAC or DC
Z3	24 VAC or DC
Y3	48 VAC or DC

SYMBOL	DESCRIPTION
Blank	Standard
02	Modified for Remote Pot Installation.
08	Modified Timer and Remote Pot Kit.