

USAVAC - MEDIUM VOLTAGE AC Vacuum Contactors

A

- UL Recognition ¹
- CSA Certified ¹
- Electrically Held AC or DC Closing Coils



Ratings Include 2.5, 5.0, 7.2KV,
200, 400, 600, 800 and 1200 Ampere

3 Pole Vacuum Contactors - Bulletin 7707

Ampere Rating	Maximum Horsepower Ratings		Open Type Catalog No.
	8pf Ind. or Syn. Motor	1.0 pf Syn. Motor	
2500 Volts			
200	900	1000	MVC77U032A25 -*
400	1750	2000	MVC77U034A25 -*
600	2250	2500	MVC77U036A25 -*
800	2750	-----	SVC77U038A25 -*
1200	-----	-----	SVC77U031225 -*
4160 Volts			
200	1500	1750	MVC77U032A50 -*
400	3000	3500	MVC77U034A50 -*
600	4500	4750	MVC77U036A50 -*
800	5500	-----	SVC77U038A50 -*
1200	-----	-----	SVC77U031250 -*
6600 Volts			
200	2500	2750	MVC77U032A72 -*
400	5000	5250	MVC77U034A72 -*
600	6750	7000	MVC77U036A72 -*
800	8000	-----	SVC77U038A72 -*
1200	-----	-----	SVC77U031272 -*

Notes:

1. UL recognized 5KV 500A 7.2KV 400A
CSA Certified 5KV 400A

Mechanically Interlocked Contactors on Page A41 should be used if short circuit current can flow when switching between two or more contactors.

Ordering Information

* Coil Table

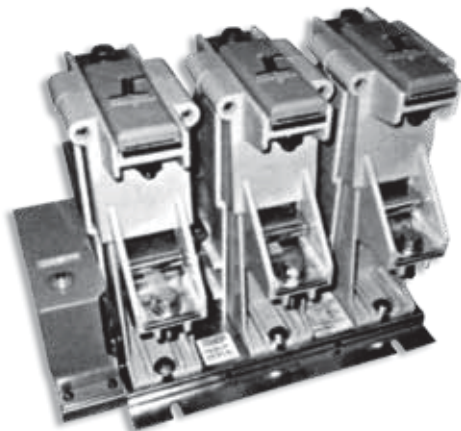
- Use complete catalog number when ordering.
Replace the (*) with the suffix from the coil table.
- Engineering Data page A43.
- Renewal Parts page A36.

Voltage Suffix	
120 AC	-76
240 AC	-26
125V DC	-125
250V DC	-250

USAVAC - MEDIUM VOLTAGE

AC Vacuum Contactors

A



Ratings Include 2.5, 5.0, 7.2KV,
200, 400, 600 Ampere

- **UL Recognition ¹**
- **CSA Certified 5KV 400A ¹With Separate Mechanically Latched Close and Trip Coils**

3 Pole Vacuum Contactors - Bulletin 7707

Ampere Rating	Maximum Horsepower Ratings		Open Type Catalog No.
	.8pf Ind. or Syn. Motor	1.0 pf Syn. Motor	
2500 Volts			
200	900	900	MVCL77U032A25 -*
400	1750	1750	MVCL77U034A25 -*
600	2250	2250	MVCL77U036A25 -*
1200			MVCL77U0312A25 -*
4160 Volts			
200	200	1500	MVCL77U032A50 -*
400	400	3000	MVCL77U034A50 -*
600	600	4500	MVCL77U036A50 -*
1200			MVCL77U031250 -*
6600 Volts			
200	200	2500	MVCL77U032A72 -*
400	400	5000	MVCL77U034A72 -*
600	600	6750	MVCL77U036A72 -*
1200			MVCL77U031272 -*

Notes:

1. UL recognized 5KV 500A 7.2KV 400A
CSA Certified 5KV 400A

Mechanically Interlocked Contactors on Page A41 should be used if short circuit current can flow when switching between two or more contactors.

Ordering Information

* Coil Table

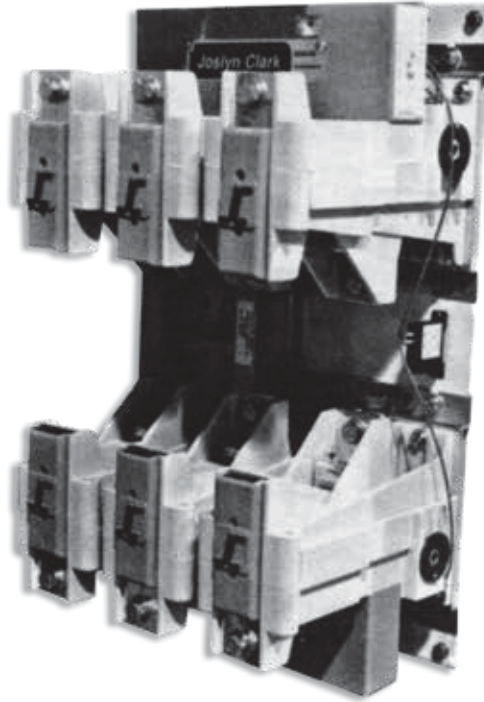
- Use complete catalog number when ordering. Replace the (*) with the suffix from the coil table.
- Engineering Data page A43.
- Renewal Parts page A36.

Voltage Suffix	
120 AC	-76
240 AC	-26
125V DC	-125
250V DC	-250

USAVAC - MEDIUM VOLTAGE

Mechanically Interlocked Contactor

A



3 Pole - 3 Pole Mechanically Interlocked - Bulletin 6031

Ampere Rating	Maximum Horsepower Ratings		Open Type Catalog No.
	.8pf Ind. or Syn. Motor	1.0 pf Syn. Motor	
2500 Volts			
200	900	1000	MVC31U032A25 -*
400	1795	2000	MVC31U034A25 -*
600	2250	2500	MVC31U036A25 -*
4160 Volts			
200	1500	1750	MVC31U032A50 -*
400	3000	3500	MVC31U034A50 -*
600	4500	4750	MVC31U036A50 -*
6600 Volts			
200	2500	2750	MVC31U032A72 -*
400	5000	5250	MVC31U034A72 -*
600	6750	7000	MVC31U036A72 -*

Ordering Information

* Coil Table

- Use complete catalog number when ordering. Replace the (*) with the suffix from the coil table.
- Engineering Data page A43.
- Renewal Parts page A36.

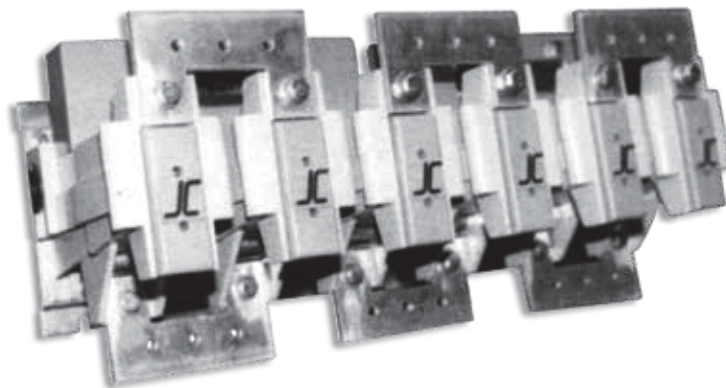
Voltage Suffix	
120 AC	76
240 AC	26

USAVAC - MEDIUM VOLTAGE

AC Vacuum Contactors

A

Special Purpose Contactors
3000A Single Phase
1200A Three Phase



The following controls are for high current applications such as electric arc and induction furnaces.

Special Purpose Vacuum Contactors - Bulletin 7707

Ampere Rating	Open Type, 2500V Catalog No.	Open Type, 5000V Catalog No.	Open Type, 7200V Catalog No.
1 Pole, Single Phase			
1000	SVC77U011025 -*	SVC77U011050 -*	SVC77U011072 -*
1500	SVC77U011525 -*	SVC77U011550 -*	SVC77U011572 -*
2000	SVC77U012025 -*	SVC77U012050 -*	SVC77U012072 -*
3000	SVC77U013025 -*	SVC77U013050 -*	SVC77U013072 -*
2 Pole, Single Phase			
200	SVC77U022A25 -*	SVC77U022A50 -*	SVC77U022A72 -*
400	SVC77U024A25 -*	SVC77U024A50 -*	SVC77U024A72 -*
600	SVC77U026A25 -*	SVC77U026A50 -*	SVC77U026A72 -*
1000	SVC77U021025 -*	SVC77U021050 -*	SVC77U021072 -*
1500	SVC77U021525 -*	SVC77U021550 -*	SVC77U021572 -*
3 Pole, Three Phase			
800	SVC77U038A25 -*	SVC77U038A50 -*	SVC77U038A72 -*
1200	SVC77U031225 -*	SVC77U031250 -*	SVC77U031272 -*

Ordering Information

* Coil Table

- Use complete catalog number when ordering. Replace the (*) with the suffix from the coil table.
- Engineering Data page A43.
- Renewal Parts page A36.

Voltage Suffix	
120 AC	76
240 AC	26

Vacuum Contactor & Starter Ratings

Standard - NEMA ICS 2-324, UL 347, CSA 22.2, IEC 470, BS 775

Description		200A	400A	600	1200
Catalog Number & 2.5KV		MVC77U032A25	MVC77U031A25	MVC77U036A25	SVC77U031225
Rated Voltage	5.0KV	MVC77U032A50	MVC77U034A50	MVC77U036A50	SVC77U031250
	7.2KV	MVC77U032A72	MVC77U034A72	MVC77U036A72	SVC77U031272

Power Ratings		200A	400A	600A	800/1200A
Operational Rated Current		200A	400A	600A	800/1200A
Operational Rated Frequency HZ		50/60	50/60	50/60	50/60
E1 Interrupt Rating	2.5KV	20 MVA Equivalent to 4.62 KA			-----
MVA & KA Values	5.0KV	40 MVA Equivalent to 4.62 KA			-----
Contactor Only	7.2KV	60 MVA Equivalent to 4.81 KA			-----
E2 Fuse Coordination	Rating	400 MVA 45.7 KA RMS			-----
MVA & KA	5.0KV	38R max. fuse size			-----
Withstand KA	5.0KV	57.8 KA - Peak, 38R - Fuse			-----
Short Time Current	1 Sec. KA	6	7	9	12
	5 Sec. KA	4	5	6	9
	15 Sec. KA	2	2.6	3	6
Switching Frequency		300/Hr			
Elec. Life at Rated Current		.6 x 10 ⁶	.40 x 10 ⁶	.250 x 10 ⁶	.250 x 10 ⁶
Mechanical Life		.75 x 10 ⁶			
Dielectric Strength		20KV 1 min.			
Impulse withstand B.I.L.		1.2 x 50 us 60KV			
Chopping Current Max.		.9A			
Control Ratings AC&DC					
Rated Control Voltage		120/240V 50/60Hz AC or 125/250V DC			
Allowable Fluctuation		+10-15%		+10-20%	
Closing Power VA/Duration		650VA/45MS		1300VA/45MS	
Holding Power		7VA AC .47A DC		14VA AC .924A DC	
Opening Time Ave.		90 MS at 60Hz			
Closing Time Ave.		40 MS at 60 Hz			
Pick up Voltage	Min.	102V or less			
Drop Out Voltage	Ave.	70% or less			
Recommended Control Trans.		(AC Only)	300VA	600VA	
Application Conditions					
Standard	Current	Continuous AC/DC 10A/5A			
Auxiliary	Voltage	600V Max. - 48V Min. NEMA A600 (AC) P600 (DC)			
Contact	AC	Make/Break 7200VA/720VA			
Ratings	DC	Make/Break 125/250V 138VA 300/600V 138VA			
Additional	Current	Continuous AC/DC 10A/2.5A			
Auxiliary Contact	Voltage	600V Max. - 48 Min. NEMA A600 (AC) Q300 (DC)			
Relay Ratings	AC	Make/Break 7200VA/720VA			
	DC	Make/Break 125/250V/69VA			
Weight		48 lbs.		96 lbs.	

Technical Specifications

CSA 5KV. 400A

UL Recognized 5KV 500A 7.2KV 400A

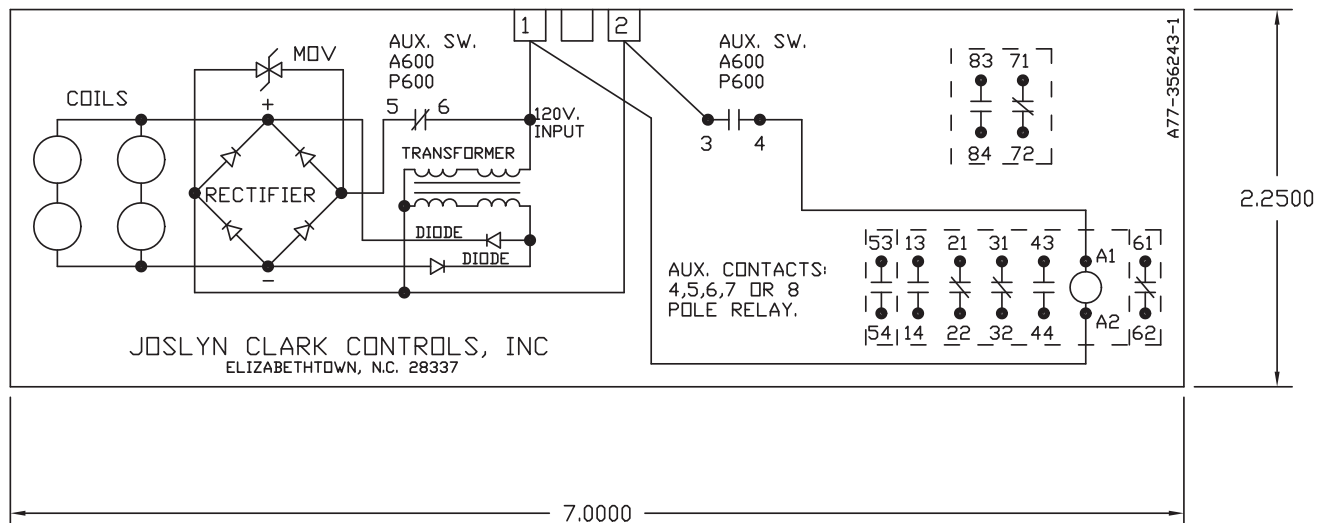
A

Power Application Ratings

Voltage KV	Current	2.5	3.3	4.16	6.6
Motor Type		Motor HP			
.8 P.F. Ind. or Syn Motor	200A	900	1250	1500	2500
1.0 P.F. Syn Motor	200A	1000	1500	1750	2750
.8 P.F. Ind. or Syn Motor	400A	1750	2250	3500	5000
1.0 P.F. Syn Motor	400A	2000	2500	3500	5250
.8 P.F. Ind. or Syn Motor	600A	2250	3250	4500	6750
1.0 P.F. Syn Motor	600A	2250	3500	4750	7000
.8 P.F. Ind. or Syn Motor	800A	2750	4000	5500	8000
Transformer Load KVA					
Three Phase Transformer	200A	750	1000	1500	2000
	400A	1500	2000	3000	4000
	600A	2500	3000	4250	6000
	800A	2750	3750	5250	7500
	1200A	4100	5000	7000	10000
Capacitor Load KVAR					
Three Phase Capacitor	200A	550	750	1050	1500
	400A	1125	1500	2250	3000
	600A	1650	2250	3375	4500
	800A	2200	2900	4500	5000
	1200A	2750	3750	5625	7500

Accessories & Options:

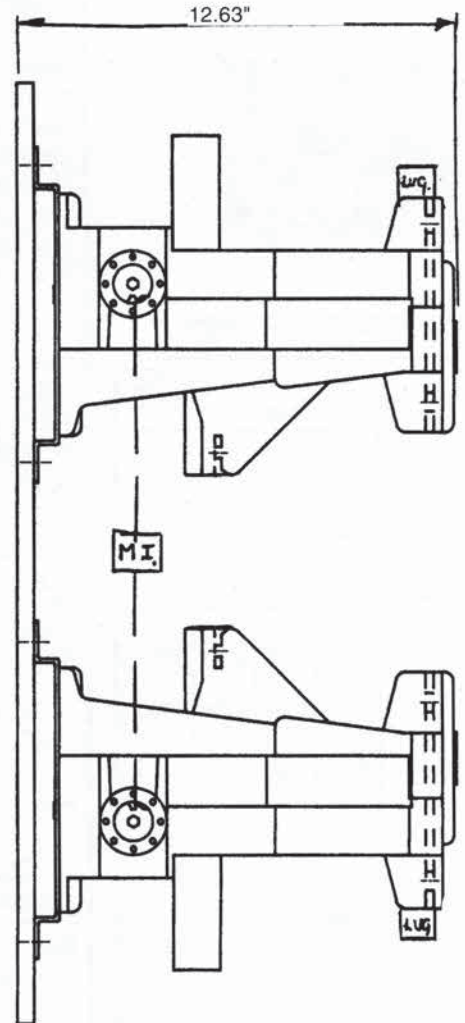
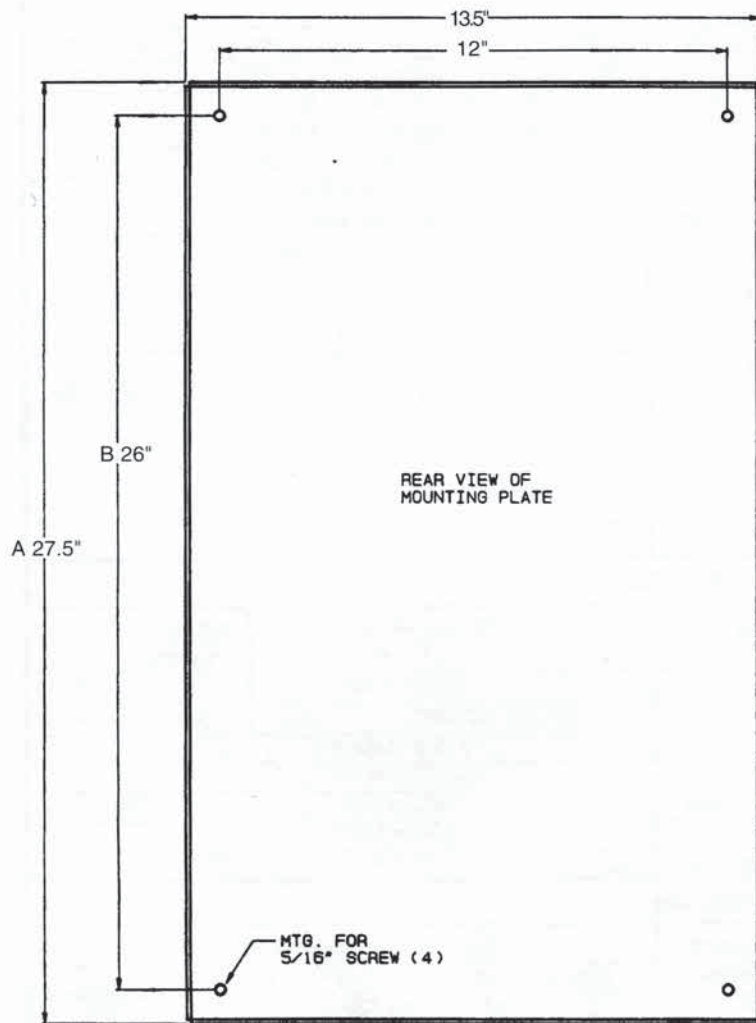
- 1, 2, 4, & 5 Pole contactors, consult factory.
2. Mechanically interlocked contactors available.
3. Medium voltage starters available in non-drawout designs in NEMA 12 & 3 enclosures, consult factory.
4. Terminal Lug Kits available.



USAVAC - MEDIUM VOLTAGE

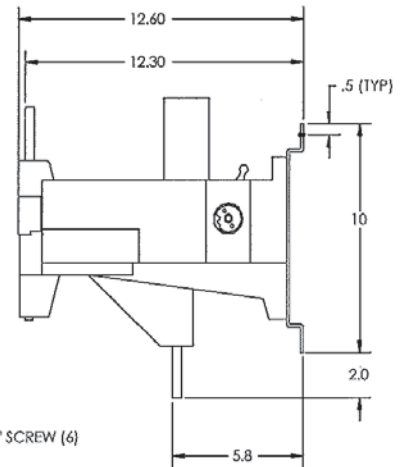
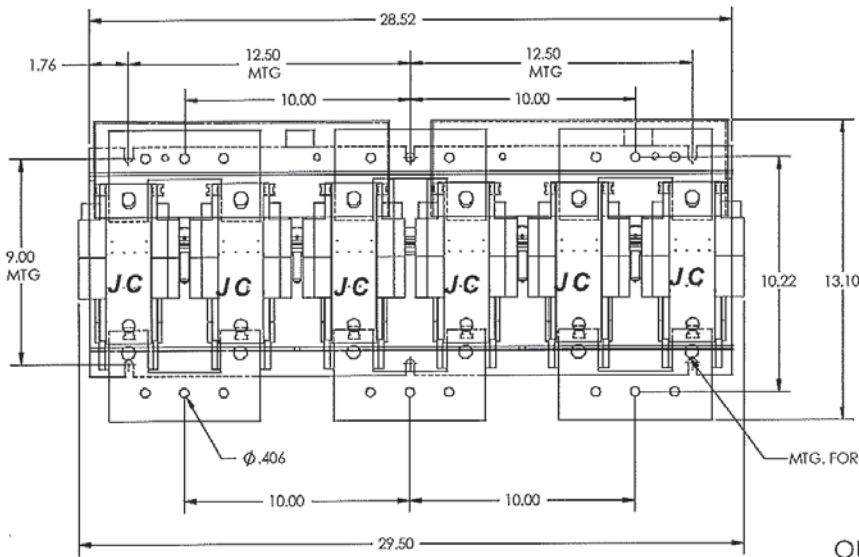
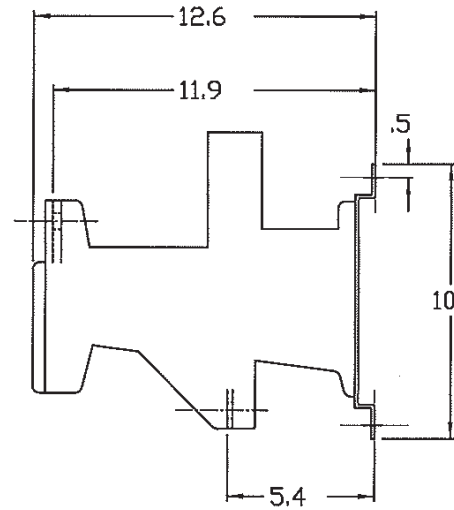
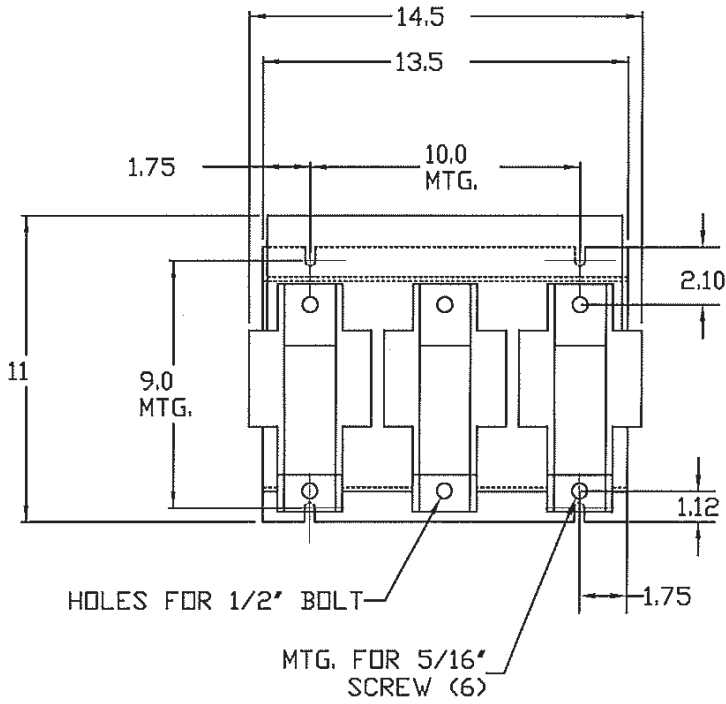
Dimensions

A



- 1 2.5/5.0/7.2 KV 200, 400A
2.5/5.0/7.2 KV 1200A 3 Phase
2.5/5.0/7.2 KV 1000, 1500A 2 Pole
2.5/5.0/7.2 KV 2000, 3000A 1 Pole

- 2 600 AMP
A = 32"
B = 30.5"



OUTLINE DRAWING

3 POLE CONTACTOR
 800 & 1200 AMP - 2.5, 5.0 & 7.2 KV
 1400 AMP - 600 V