

7438, 7430 Series Medium Sized Totalizer

Bold 5-figure display and smooth rotary reset highlight this series of industrial grade totalizers. Other features include long-life bearings and 0.25" (6.35 mm) shaft, permitting use of our measuring wheels for linear footage totalizing applications. Counting is bidirectional on rotary input models.

Many optional configurations are possible, such as: 3, 4, 6, 7, or 8 figures; custom wheel colors; special shaft lengths.



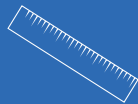
- Base mount with right-hand shaft position
- 5 highly visible white-on-black figures – counts to 99,999
- Choice of drive - revolution or direct
- Bidirectional counting with direct and revolution drives
- Convenient, low torque, rotary knob reset to zero
- Tough, industrial duty construction
- Long life bearings
- No Lubrication required



TIME



COUNT



MEASURE

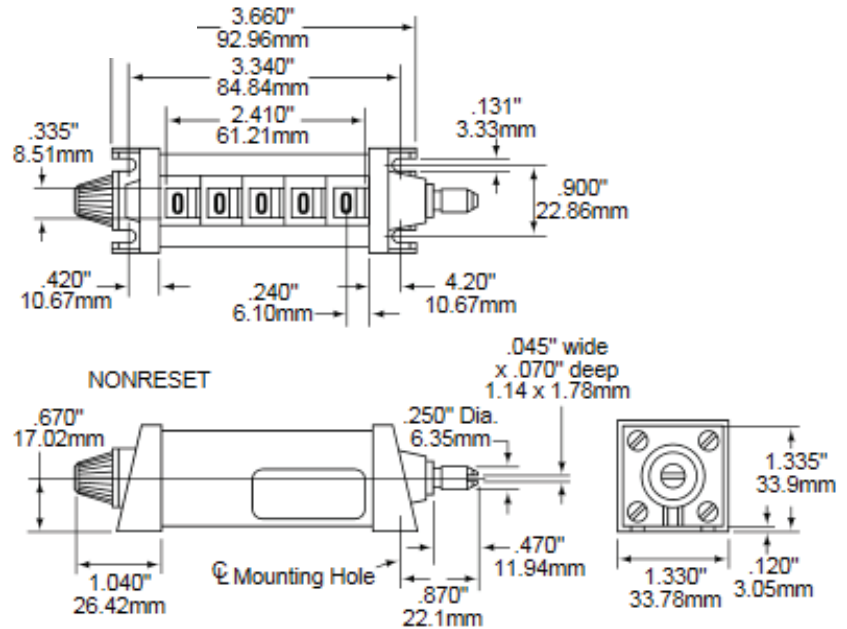
8:43

DISPLAY

SPECIFICATIONS

DRIVE	Direct Drive (7428 Series) adds ten counts for each drive shaft revolution in specified rotation, subtracts for opposite rotations if reset knob is not obstructed. Revolution Drive (7430 Series) adds one count for each drive shaft revolution in specified rotation; subtracts for opposite rotations if reset knob is not obstructed.
SPEED	Direct Drive (7428 Series): 200 rpm of drive shaft Revolution Drive (7430 Series): 750 rpm of drive shaft
NUMBER OF FIGURES	5
SIZE OF FIGURES	0.270" high x 0.185" wide (6.86 mm x 4.70 mm)
COLOR OF FIGURES	White on black
RESET	Manual knob
LUBRICATION	Not required
MOUNTING	Base
CONSTRUCTION	End Caps: Zamak Case: C.A.B. plastic Internal Parts: Acetal resin and A.B.S. plastic and sintered metal Drive Shafts: Plated steel
WEIGHT	6 oz. (170g)

DIMENSIONS



ORDERING INFORMATION

Standard Models

- 0742835-001 Direct Drive, Sleeve Bearings, Counterclockwise Rotation
- 0743035-001 Revolution Drive, Sleeve Bearings, Counterclockwise Rotation
- 0743035-201 Revolution Drive, Needle Bearings, Counterclockwise Rotation
- 0742845-001 Direct Drive, Sleeve Bearings, Clockwise Rotation
- 0743045-001 Revolution Drive, Sleeve Bearings, Clockwise Rotation
- 0743045-201 Revolution Drive, Needle Bearings, Clockwise Rotation

Special variations available. Please consult factory.

