

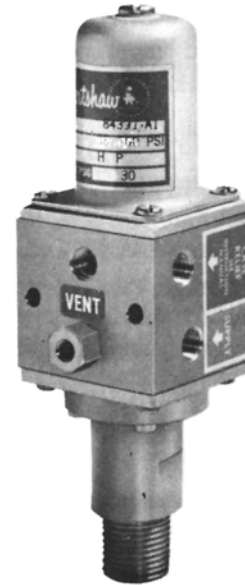
## Pressure Sensor No. 84371 Series

### GENERAL DESCRIPTION

The patented\* No. 84371-Series Pressure Sensor contains a weather-proof, snap-acting valve operated by pressure variation around the integral sensing element. Depending upon model used, it vents or blocks a pneumatic signal when the setpoint is reached and is available with either automatic or manual reset. The sensor has adjustable differential (auto reset versions only) and setpoint; provision for piped vent operation, and is field reversible. Setpoint is virtually unaffected by control pressure change, or in the case of piped vent versions, vent backpressure change. In the auto reset versions reset differential can be changed without shifting setpoint.

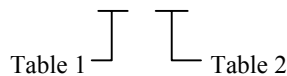
For correct operation, control pressure must be provided through a .032" (.81 mm) diameter or smaller orifice.

\* Patent 3,986,524



### MODELS AVAILABLE

84371 -



**TABLE 1**

SUFFIX	DESCRIPTION	RESET
A	Direct Acting - Vents on Increase	Auto
B	Reverse Acting - Closes Vent on Increase	Auto
C	Direct Acting - Vents on Increase	Manual

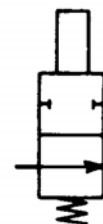
**TABLE 2**

SUFFIX	SETPOINT RANGE - PSI (bar)
1	800 to 2500 (55.16 to 172.37)
2	2000 to 4500 (137.90 to 310.26)
3	4000 to 6500 (275.79 to 448.16)

See Page 2 for SPECIFICATIONS.



84371-A, C Series  
 Vents on Increase  
 (Direct-Acting)



84371-B Series  
 Closes Vent on Increase  
 (Reverse-Acting)

### J.I.C. Symbols

### ORDERING INFORMATION:

Specify:

1. Model
2. Control Pressure - If not specified, sensor is set using 30 psi (2.068 bar)
3. Setpoint - If not specified, set at minimum.
4. Differential (automatic reset models only) - If not specified, set at standard.
5. Tagging Information

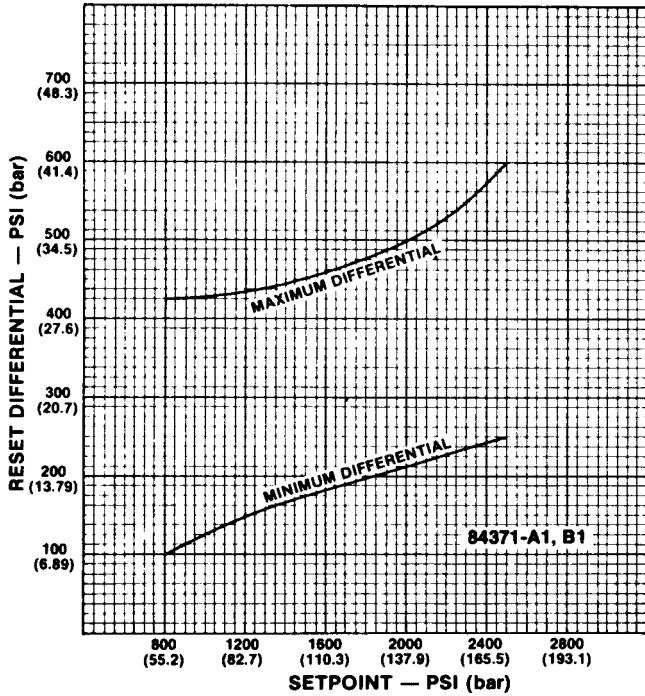
**SPECIFICATIONS**

**CONSTRUCTION:**

**Valve Housing:** ..... Anodized Aluminum Alloy  
**Spring Housing:** ..... 316 Stainless Steel  
**Pressure Assembly Housing:** ..... Stainless Steel  
**Pressure Assembly:** ..... Stainless Steel Bellows  
**Springs:** ..... Stainless and Plated Steel  
**O-Rings:** ..... Fluorocarbon, Neoprene, and Buna-N  
**Diaphragms and Gasket:** Neoprene & Buna-N on Nylon  
**Control Pressure:** ..... 20 to 60 psi (1.379 to 4.137 bar)  
**Maximum Control Pressure:** ..... 75 psi (5.17 bar)  
**Maximum Ambient Temperature:** ..... 160° F. (71.1° C.)  
**Maximum Process Pressure:** ..... 9000 psi (621 bar)  
**Reset Differential Range:** .... See graph corresponding to instrument model numbers.

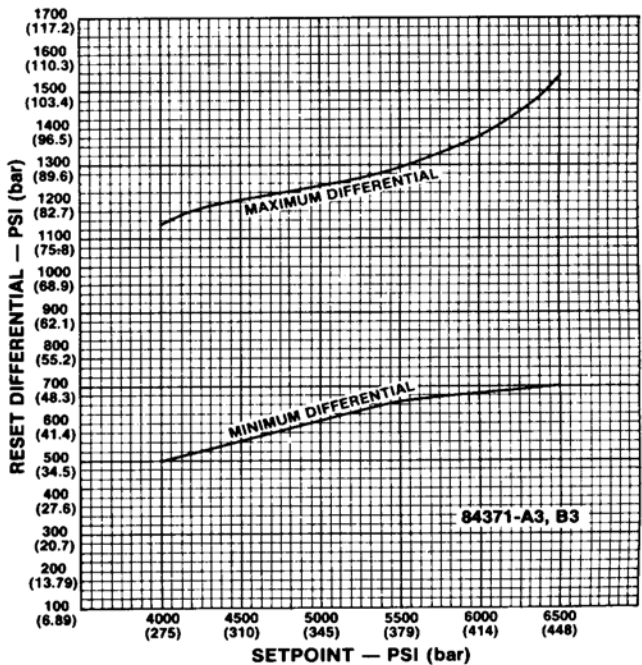
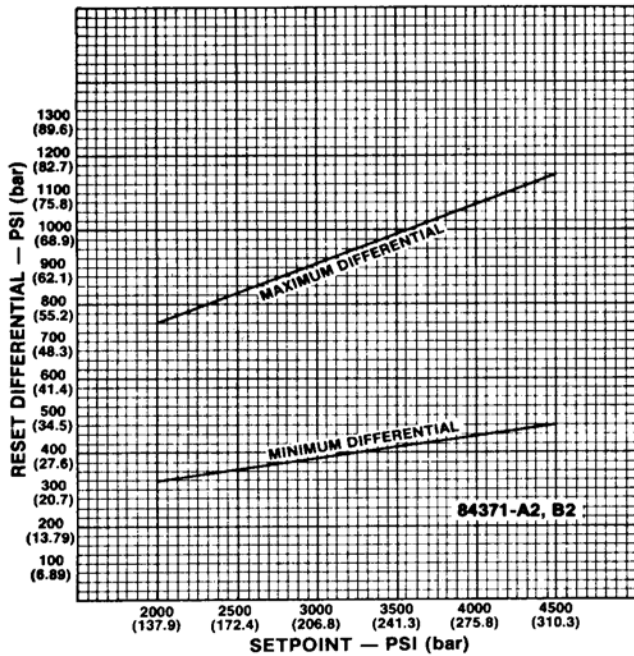
**Repeatability** ..... ± 1 % of Setpoint  
**Mounting:** ..... Panel or Manifold  
**Approximate Shipping Weight:** ..... 2-1/4 lb. (1 Kg.)  
**Control Medium:** ..... Air, Natural Gas, Nitrogen  
**Filtration (Minimum):** ..... 25 Microns  
**Moisture (Pressure Dewpoint):** ..... 15° F. (8.3° C.) less than ambient temperature  
**Oil Content (Natural Base):** ..... 5 PPM  
**Oil Content (Synthetic Base):** ..... 0 PPM  
**Hydrogen Sulfide:** ..... 0 PPM

NOTE: These are suggested minimums for control medium quality. For operation under more adverse conditions, consult factory



Model	Standard Reset Differential, psi (bar)	Minimum Process Pressure Drop to Manually Reset, psi (bar)
84371-A1	250 (17.2)	
84371-A2	500 (34.5)	
84371-A3	700 (48.3)	
84371-B1	250 (17.2)	
84371-B2	500 (34.5)	
84371-B3	700 (48.3)	
84371-C1		75 (5.17)
84371-C2		300 (20.7)
84371-C3		450 (31.0)

**CAUTION: DO NOT EXCEED MAXIMUM TEMPERATURE/PRESSURE RATINGS**



## INSTALLATION - See Figure 1

### MOUNTING

The No. 84371-Series Pressure Sensor may be mounted in any position, although vertical (upright) is recommended. It should be securely mounted on the panel or other suitable surface to prevent excessive vibration using the two 7/32" (5.53 mm) diameter holes in the housing assembly. The sensor also has a 1/2"-14 NPT connection for manifold mounting.

**CAUTION:** When installing the manifold mounted sensor, screw into pipe or vessel using the wrench flats only. Turning by the housing will cause permanent damage to the sensor.

If the measured variable is a liquid, consideration should be given to the level of the liquid. Since an error in calibration could be caused by the weight of a body of liquid acting on the measuring assembly, it might be necessary to adjust the calibration to compensate for this constant weight (see Adjustments).

If the sensor is out of doors or in any way exposed to water during cleaning, etc., it should be mounted in a position that will prevent water entry into the spring or valve housings. Water trapped in the housing will impair operation and could freeze during winter months. Vent openings should have fittings installed turned down. The 1/8" - 27 NPT connection can be used for piped vent operation if gas is used.

### CONNECTIONS

The sensor has three 1/8" - 27 NPT connections—one for control pressure, one for vent pressure, and one for case relief pressure.

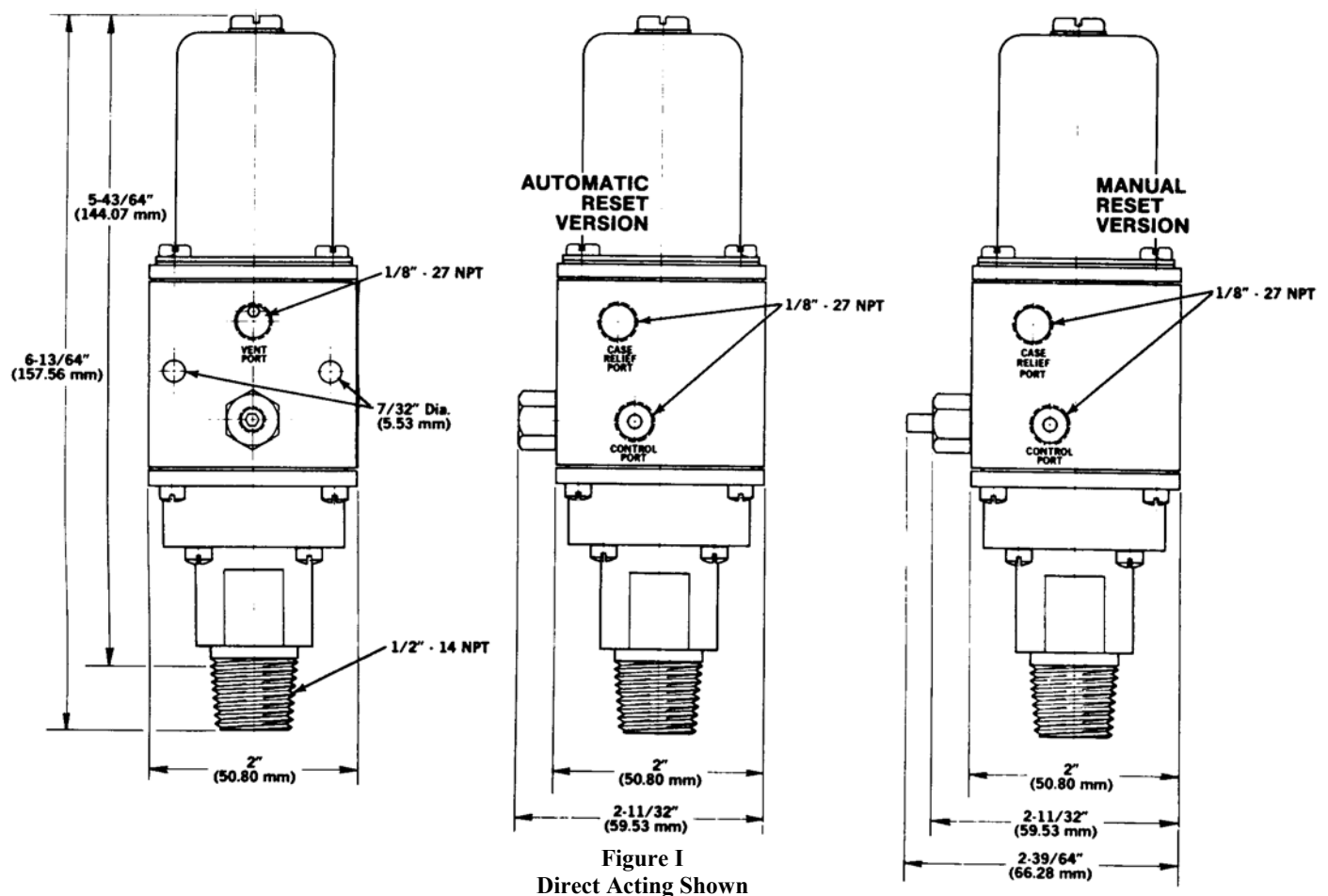
**CAUTION:** Do not pipe or plug case relief connection. The vent pressure connection from the sensor cannot be used as a supply or control source for any other equipment. Vent back pressure should be held to as low a level as possible.

The control port pressure must be provided through a .032" (.81 mm) diameter or smaller orifice using 1/4" (6.35 mm) or 3/8" (9.53 mm) O.D. tubing not exceeding 100 feet (30.5 m) in length. Using excessive lengths or other than the specified tubing is not recommended.

Tubing and fittings used to connect the sensor must be free of chips, dirt, moisture or other foreign matter.

It is recommended that a non-hardening, "anti-seize" type thread compound be applied to the second or third male thread in moderate amount. Do not allow any compound to be deposited inside the sensor. Thread sealing tape is not recommended.

If the sensor is used with a liquid process pressure, entrapped air in the tubing connected to the measuring assembly should be vented. This can be accomplished by bleeding the fitting connection installed at the sensing element.



**OPERATION - See Figure 2**

In the direct-acting models, process pressure pushes the stem against the range spring. The bellows head moves toward the range spring and compresses the bellows due to the inlet port (control) pressure. When the process pressure reaches the range spring setpoint, the stem pushes the sleeve off its O-ring seat. Inlet pressure flows past the sleeve and into the inside cavity of the bellows. This equalizes the outside to inside pressure of the bellows and allows the spring-action of the bellows to "snap" the bellows head toward the reset and differential adjustment screw. The inlet port pressure is thus vented past the diaphragm seat and out the vent port.

With the lowering of process pressure below setpoint, the range spring forces the stem and sleeve toward the

bellows head. In the automatic reset models the bellows head is stationary at this time against the reset and differential screw. This stationary position allows the sleeve to seat itself on the O-ring after sufficient process pressure is lost. In the manual reset models the reset button must be pressed to force the bellows head toward the sleeve to allow seating as the sleeve itself cannot move a distance sufficient to contact the O-ring. This sleeve and O-ring contact causes the loss of inlet port pressure inside the bellows. The bellows head moves toward the range spring and resets the sensor.

Reverse-acting models vent on a decrease in process pressure.

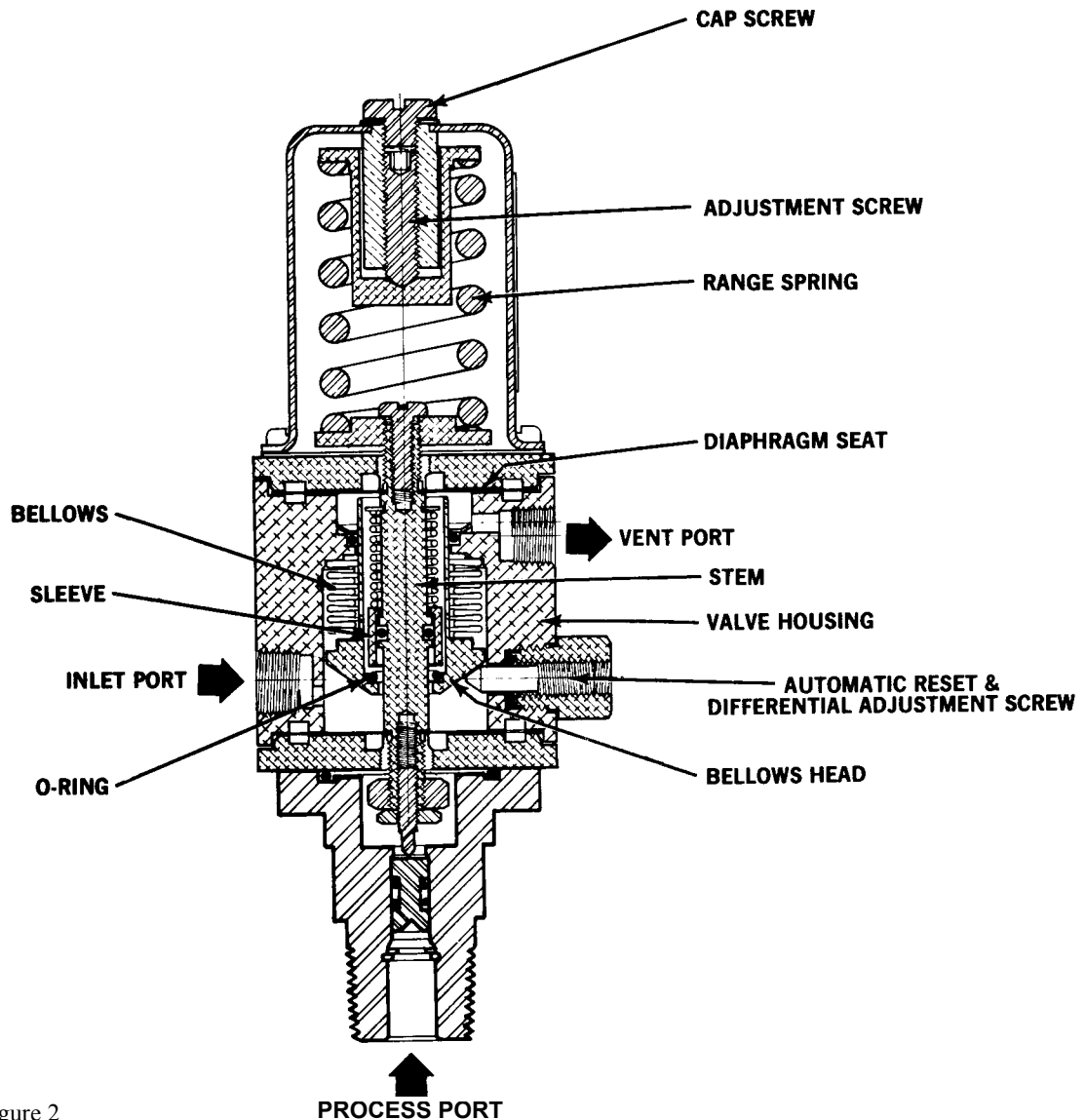


Figure 2  
84371-A Shown  
(Inlet port rotated 90° from true position)

## MAINTENANCE - See Figure 4

**WARNING: USE CARE WHEN DISASSEMBLING, SPRING FORCES PRESENT**

**CAUTION: Do not subject O-rings, gasket, or diaphragms to cleaning fluid, acetone, or any halogenated hydrocarbons such as degrease liquids, etc. Clean only with a soft, dry cloth. Metal parts can be cleaned with a suitable solvent then dried thoroughly before reassembly.**

*NOTE. Threads on screw (detail 8), diaphragm clamps, spring housing screws (detail 11), bushing, flange screws (detail 23), and pressure assembly screws (detail 25) should have Loctite Sealant "H" or equivalent applied before reassembly. See \* below.*

### PISTON O-RING

To replace piston O-ring (detail 30), remove retaining ring (detail 41) and washer (detail 40). Remove piston (removal of pressure assembly from sensor may be required to remove piston from assembly - for removal see Pressure Assembly Maintenance section). Replace defective O-ring on piston. Reassemble and recalibrate as necessary.

### PRESSURE ASSEMBLY

Remove four screws (detail 25), O-ring (detail 22) and pressure assembly. If desired, remove piston from defective pressure assembly (see Piston O-Ring instructions above) and reassemble into replacement pressure assembly. Otherwise, assemble a new piston into the replacement pressure assembly. Reassemble\* and recalibrate.

### BUSHING

To replace bushing O-ring (detail 19), remove bushing and replace defective O-ring. Reassemble\* and replace in housing assembly. Recalibrate differential if unit is an automatic reset model.

### HOUSING ASSEMBLY AND STEM

Remove cap screw and turn adjustment screw (detail 6) counterclockwise to bring the range spring to free length. Remove the four screws (detail 11), spring housing, spring seat (detail 4), range spring, and gasket. Remove the pressure assembly as previously described. As applicable, proceed with the Direct or Reverse-Acting instructions below.

#### Direct-Acting

Prevent the spring seat (detail 9) from rotating and back the lock nut away (counterclockwise) from the nut several turns. Preventing the spring seat (detail 9) from rotating, remove the adjusting screw and nut. Remove the four screws (detail 23) and flange (detail 21).

Prevent the spring seat (detail 9) from rotating and remove the exposed diaphragm clamp. Remove the exposed diaphragm. Remove the stem by pulling the flange (detail 13) from the valve housing.

To replace O-ring (detail 36) on stem, prevent spring seat (detail 9) from rotating and remove screw (detail 8). Prevent stem from rotating and remove spring seat (detail 9) and flange (detail 13). Proceed with instructions designated Direct and Reverse-Acting below.

#### Reverse-Acting

Prevent the nut from rotating and remove the screw (detail 8) and spring seat (detail 9). Remove the flange (detail 13).

Prevent the nut from rotating and remove the exposed diaphragm clamp. Remove the exposed diaphragm.

Remove the four screws (detail 23). Remove the stem by pulling the flange (detail 21) from the valve housing.

To replace O-ring (detail 36) on stem, prevent the nut from rotating and back the lock nut away (counterclockwise) from the nut several turns. Remove the adjusting screw, nut, and flange (detail 21). Proceed with instructions designated Direct and Reverse-Acting below.

#### Direct- and Reverse-Acting

Remove remaining diaphragm clamp and diaphragm. Remove retaining ring (detail 37), spring (detail 39), and sleeve. Remove defective O-ring (detail 36) and replace. Reassemble sleeve, spring (detail 39) and retaining ring (detail 37).

To replace O-ring (detail 34) in valve housing, remove retaining ring (detail 33) and defective O-ring (detail 34). Replace O-ring, then retaining ring.

To replace O-ring (detail 35) which seats against the sleeve, remove the defective O-ring with a knife or other sharp-pointed tool. Carefully remove any residue and clean area from where O-ring was removed with a suitable solvent. Dry thoroughly. Place a few drops of liquid viton (Pelmor Laboratories' PLV-2000 or equivalent) on the seating area just cleaned. Take the replacement O-ring, remove from it any dust, dirt, or foreign matter, and bond it to its seating area. Allow to cure for one or more hours.

With all O-rings, diaphragms, gaskets, and defective parts replaced, reassemble as follows:

On models with automatic reset, turn differential adjustment screw into bushing clockwise until small end of bellows head is even with surface "D" - see Figure 3. (On models with manual reset, the reset plunger will need to be held depressed to obtain surface "D" contact as explained below).

Replace stem, diaphragms, and diaphragm clamps\*. Tighten clamps hand-tight. While holding each clamp with a wrench, tighten approximately one-fourth turn more. Reassemble\* balance of parts as shown in Figure 3.

On models with manual reset, depress the reset plunger to maintain small end of bellows head and surface "D" contact while obtaining the following dimensions - see Figure 3.

Apply approximately one pound force (4.45 N) by finger at point "P." Turn spring seat to obtain dimension "A" - see Table 1. Lock spring seat in place with screw\*.

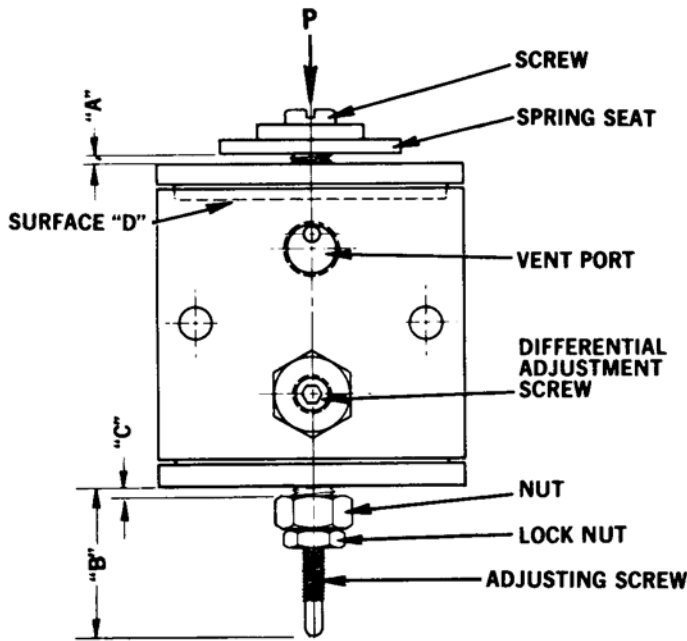
With a gage in place to hold dimension "A," adjust adjusting screw to dimension "B" and nut to dimension "C" - see Table 1. Lock both in place with lock nut as shown in Figure 3.

Release reset plunger on manual reset models and turn differential adjustment screw counterclockwise approximately three-fourths turn on auto reset models.

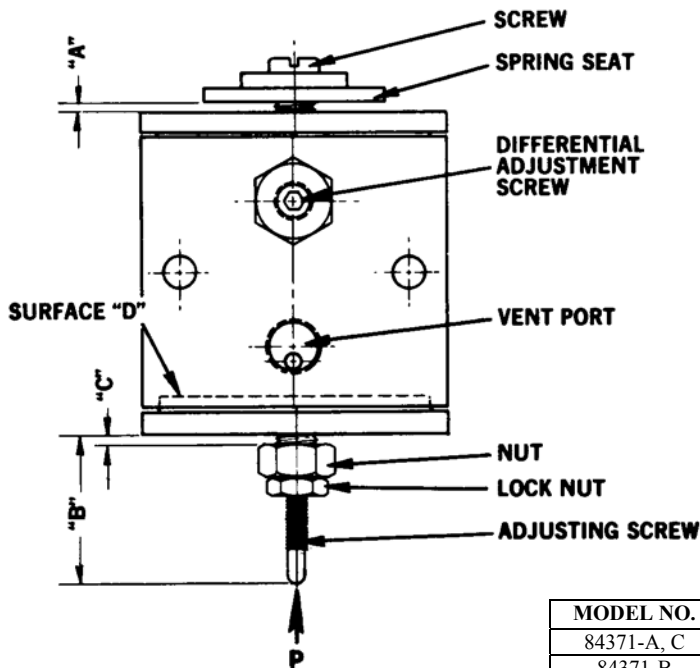
Reassemble\* balance of parts and recalibrate sensor.

**FIELD REVERSAL**

To change the sensor from direct to reverse acting or vice versa, remove the spring seat (detail 9), adjusting screw, and nut from stem. Reset bellows head to surface "D" as explained in the Housing Assembly and Stem Maintenance section. Reassemble spring seat (detail 9), adjusting screw, and nut on appropriate end of stem using Figure 3 as a guide. Reset dimensions "A," "B" and "C" and reassemble as explained in the Housing Assembly and Stem Maintenance instructions. Recalibrate sensor when assembled.



Direct-Acting



Reverse-Acting

**ADJUSTMENTS - See Figure 4)  
SETPOINT**

1. Remove cap screw.
2. Apply operating control pressure to inlet port through a .032" (.81 mm) diameter or smaller orifice. Control pressure and orifice size must be the same as that used during normal operation.
3. Apply process pressure at desired setpoint to the process port.
4. Insert a 1/8" hex wrench into the adjustment screw and turn screw counterclockwise (clockwise for reverse-acting units) until the valve snaps open and sensor vents. If the valve is already open, turn the screw clockwise (counterclockwise for reverse acting units) until the valve closes, then reverse direction and turn screw until valve snaps open and vents.
5. Check operation and trim as necessary.
6. Replace the cap screw.

**DIFFERENTIAL (Applicable to Auto Reset Models Only)**

**CAUTION: Sensor will not vent if differential adjustment screw is turned clockwise to its maximum insertion into the valve housing. Do not set differential below minimum recommended value.**

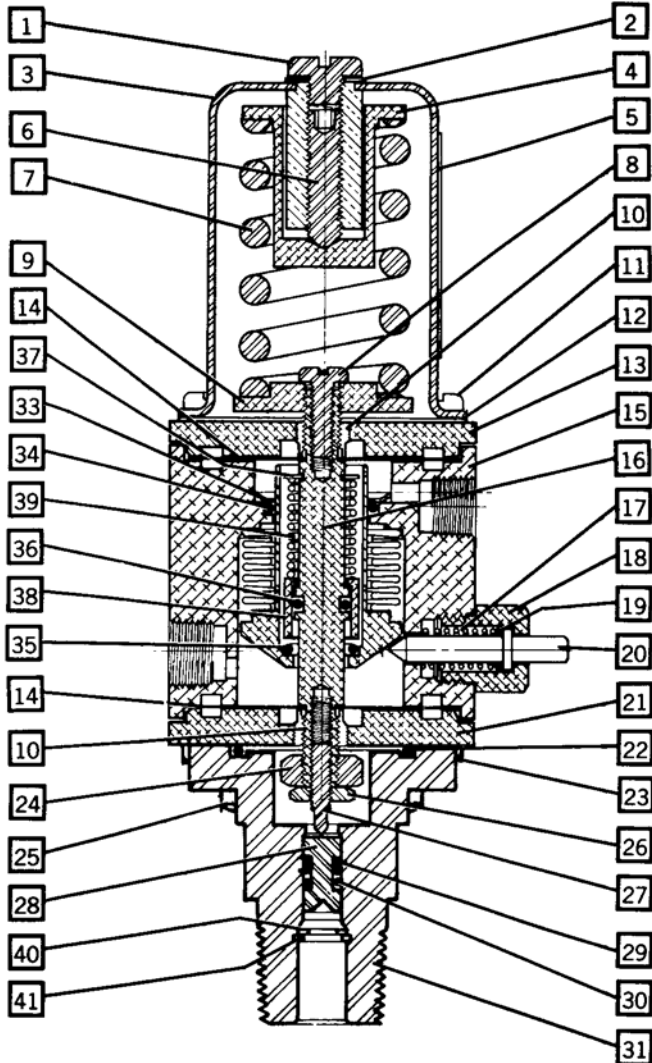
1. Apply operating control pressure to inlet port through a .032" (.81 mm) diameter or smaller orifice. Control pressure and orifice size must be the same as that used during normal operation.
2. Cycle measured pressure at the process port and adjust the differential adjustment screw until desired differential is obtained. Differential is increased by turning the screw counterclockwise.

TABLE 3

MODEL NO.	DIM. "A" In. (mm)	DIM. "B" In. (mm)	DIM. "C" In. (mm)
84371-A, C	.065 (1.651)	.593 (15.07)	.020 (.508)
84371-B	.020 (.508)	.656 (16.66)	.065 (1.651)

Figure 3

**PARTS LIST**



**Figure 4**  
**84371-C Shown**

DET. NO.	NO. REQD	DESCRIPTION	PART NO.
1	1	Cap Screw	33728-G0509
2	1	Washer	24425-A1
3	1	Spring Housing	84366-A1
4	1	Spring Seat	24557-B2
5	1	Name Plate	See Tabulation
6	1	Adjustment Screw	24558-A2
7	1	Range Spring	See Tabulation
8	1	Screw	33713-G1109
9	1	Spring Seat	33968-A2
10	2	Diaphragm Clamp	33969-A1
11	4	Screw	33713-G1309
* 12	1	Gasket	33971-A1
13	1	Flange	33966-B1
* 14	2	Valve Diaphragm	33972-A1
15	1	Housing	84364-B1
16	1	Stem	33973-A1
17	1	Spring	See Tabulation
18	1	Bushing	See Tabulation
* 19	1	"O" Ring	36240-V0007
20	1	Reset Plunger	See Tabulation
21	1	Flange	33966-B2
* 22	1	"O" Ring	36240-C0023
23	4	Screw	33713-K1309
24	1	Nut	36602-E1809
25	4	Screw	33713-K1309
26	1	Lock Nut	36602-A1309
27	1	Adjusting Screw	36713-E1709
28	1	Piston	25434-A2
* 29	2	Back-Up Ring	25431-A1
* 30	1	"O" Ring	36240-N1006
31	1	Connector	33984-A1
32	1	Differential Adjustment Screw. (Not Shown)	See Tabulation
* 33	1	Retaining Ring (Included in Detail 15)	36605-B2
* 34	1	"O" Ring (Included in Detail 15)	36240-V0016
* 35	1	"O" Ring (Included in Detail 15)	36243-V0012
* 36	1	"O" Ring	36240-V0010
* 37	1	Retaining Ring	36605-Q9
38	1	Sleeve	33974-A2
39	1	Spring	33975-A1
40	1	Washer	29648-A1
* 41	1	Retaining Ring	36605-A1

**TABULATION**

MODEL NO.	DET. 5	DET. 7	DET. 17	DET. 18	DET. 20	DET. 32
84371-A1	33970-B13	33980-F1	--	33964-A2	--	33963-A1
84371-A2	33970-B14	33980-B1	--	33964-A2	--	33963-A1
84371-A3	33970-B15	33980-C1	--	33964-A2	--	33963-A1
84371-B1	33970-B19	33980-F1	--	33964-A2	--	33963-A1
84371-B2	33970-B20	33980-B1	--	33964-A2	--	33963-A1
84371-B3	33970-B21	33980-C1	--	33964-A2	--	33963-A1
84371-C1	33970-B25	33980-F1	33965-A1	33964-B2	33962-A2	--
84371-C2	33970-B26	33980-B1	33965-A1	33964-B2	33962-A2	--
84371-C3	33970-B27	33980-C1	33965-A1	33964-B2	33962-A2	--

NOTE: For complete kit containing all O-rings, gaskets, diaphragms, and retaining rings to service one unit, order Repair Kit No. 82665-G 1. Kit includes details marked\*.

**Robertshaw**

**U.S.A. and CANADA**

**Robertshaw Industrial Products Division  
1602 Mustang Drive  
Maryville, Tennessee 37801  
Phone: (865) 981-3100 Fax: (865) 981-3168  
<http://www.robertshawindustrial.com>**

**Exports**

**Invensys Appliance Controls  
1701 Byrd Avenue  
P.O. Box 26544  
Richmond, Virginia 23261-6544  
Phone: (804) 756-6500 Fax: (804) 756-6561**

**Q-3672 (4/03)**

**Printed in U.S.A.**

