

### Needle Valve No. 99363-B1

#### GENERAL DESCRIPTION

The No. 99363-B1 Needle Valve provides a controlled rate of flow in both directions. Adjustment of flow can be made under pressure and is not affected by vibration.

#### SPECIFICATIONS

##### Construction:

*Body* ..... Brass  
*Needle* ..... Stainless Steel  
*Adjustment Knob and Locknut*..... Nylon  
*"O"-Ring* ..... Buna N  
*Washer Seal* ..... Teflon\*  
**Maximum Operating Pressure:** .... 138 bar (2000 psi)  
**Minimum Burst Pressure:** ..... 550 bar (8000 psi)  
**Operating Temperature Range:** ..... -40 to 100°C  
(-40 to 212° F.)

**CAUTION: DO NOT EXCEED MAXIMUM  
PRESSURE/TEMPERATURE RATINGS.**

**Approximate Shipping Weight:** ..... .1 Kg. (1/4 lb.)

**Connections:** ..... 1/8" NPT female, both ends.

**Dimensions:** ..... See Fig. 1

\*Registered tradename of E. I. DuPont Company.



#### INSTALLATION

The No. 99363-B1 Needle Valve may be mounted in any position. Install valve in line with metered flow in direction of arrow on side of valve.

Tubing and fittings used to connect the unit must be free of chips, dirt, moisture or other foreign matter.

A moderate amount of non-hardening, "antiseize" type thread compound should be applied to the threads of connecting fittings. The first thread should then be wiped of any excess to avoid compound from being deposited inside the valve. Thread sealing tape is not recommended.

#### ADJUSTMENTS

First, select the stem color or number of the desired flow. Then, accurately set with the micrometer numbers on the bright yellow knob; align the knob number with the inscribed mark on the valve body (valve may be adjusted within 1/20 of a turn when adjusting the knob between numbers). Example: When the valve is set at 1 (WHITE) .7, it reads 1.7. When the valve is set at 3 (ORANGE) .4, it reads 3.4.

Finally, turn the blue locknut clockwise to prevent unwanted changes in setting. For future reference, record the stem color, stem number, and the knob number; you have the same setting every time.

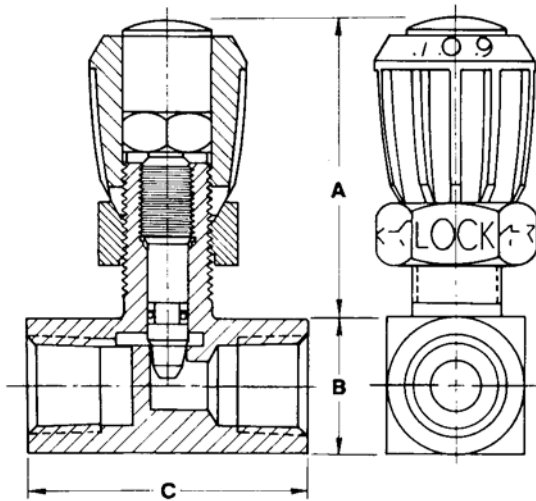
**WARNING: An estimated eight percent of the population is color blind.**



J.I.C. Symbol

#### ORDERING INFORMATION

**Specify: No. 99363-B 1 Needle Valve.**



A Open	A Closed	B (Square)	C
41.3 mm (1-5/8")	37.3 mm (1-15/32")	15.9 mm (5/8")	36.5 mm (1-7/16")

Figure 1

### MAINTENANCE

This assembly must be replaced as a unit rather than being repaired in the field.

# Robertshaw

### U.S.A. and CANADA

Robertshaw Industrial Products Division

1602 Mustang Drive

Maryville, Tennessee 37801

Phone: (865) 981-3100 Fax: (865) 981-3168

<http://www.robertshawindustrial.com>

### Exports

Invensys Appliance Controls

1701 Byrd Avenue

P.O. Box 26544

Richmond, Virginia 23261-6544

Phone: (804) 756-6500 Fax: (804) 756-6561