



## Model VC-350A 50 Sq In Diaphragm Actuated Control Valve

### General Description

The Model VC-350A Series Control Valves control hot or chilled water in heating or air conditioning systems. The WEI 3-way valves may be piped as mixing or diverting service, and used for two position or throttling applications.

### Actuator Specifications:

Diaphragm Area: 50 sq in. (323 sq cm)  
 Diaphragm material: Replaceable beaded molded neoprene  
 Diaphragm Pressure: 30 psi (207 kPa) max.  
 Service Connection: 1/8" FNPT  
 Range (nominal): 5-10 psi (34 to 69 kPa) standard,  
 3-8 & 8-13 psi (21-55 & 55-90 kPa) available  
 Max. Stroke: 1" (25.4 mm)  
 Ambient Temp: -20 to 220° F (-29 to 104° C)  
 Action: Air-to-push-down  
 Housing: Die cast aluminum

### WEI Valve Specifications:

Type: 3-way  
 Flanges: ANSI Class 125  
 Body: Cast Iron  
 Trim: Forged Brass  
 Stem: Stainless Steel  
 Packing: Spring-loaded TFE/EPDM  
 Wiper O-Ring: EPDM  
 Max. Pressure: 200 psi up to 150° F (1.38 MPa up to 65° C)  
 165 psi up to 281° F (1.14 MPa up to 138° C)  
 Seat Leakage: ANSI Class III  
 Process Temp: 20 to 281° F (-7 to 138° C)  
 Max. Pressure Drop: 35 psi (241 kPa)  
 Stroke: 1" (25.4 mm)



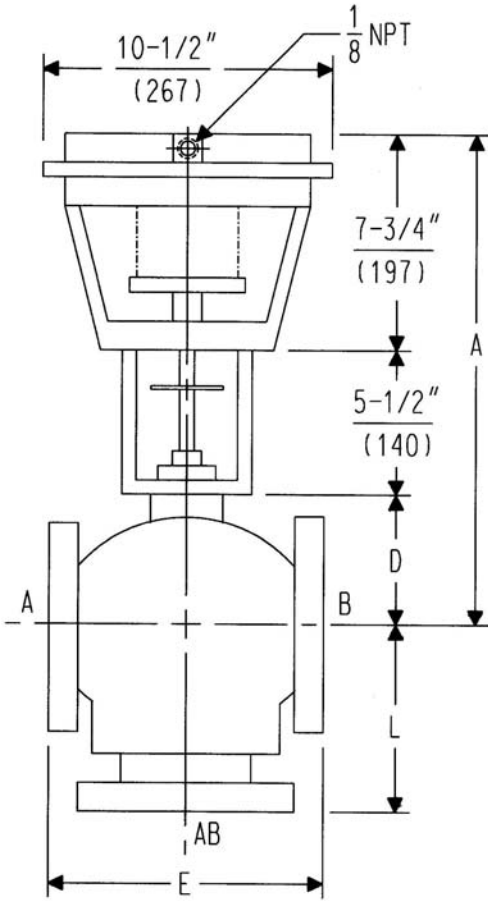
Sizes 2-1/2", 3", & 4"

### Features and Benefits:

- Rugged die cast aluminum housing
- Replaceable beaded molded neoprene diaphragm
- Adjustable start-to-stroke point
- Excellent close-off capability with WEI valve - up to 35 psi (241 kPa)
- Patented balanced design

Size		2-1/2"	3"	4"
Cv	Port A	95	120	190
	Port B	115	120	190

**Dimensions:**



WEI VALVE SIZE	DIMENSIONS			
	A	D	E	L
2-1/2"	14-7/16 (443)	4-3/16" (106)	8-9/16" (217)	5-7/16" (138)
3"	17-5/8 (448)	4-3/8" (111)	9-1/2" (241)	6-3/8" (162)
4"	18-5/16 (465)	5-1/16" (129)	11-1/2" (292)	8-7/16" (214)

INCH  
(mm)

Port AB is the common port.

Port A is open when the stem is down (high end of actuator range).

Port B is open when the stem is up (low end of actuator range).

CAUTION – EPDM components (packing & wiper o-ring) are not suitable for use with petroleum-based compounds.

**VALVE SIZING**

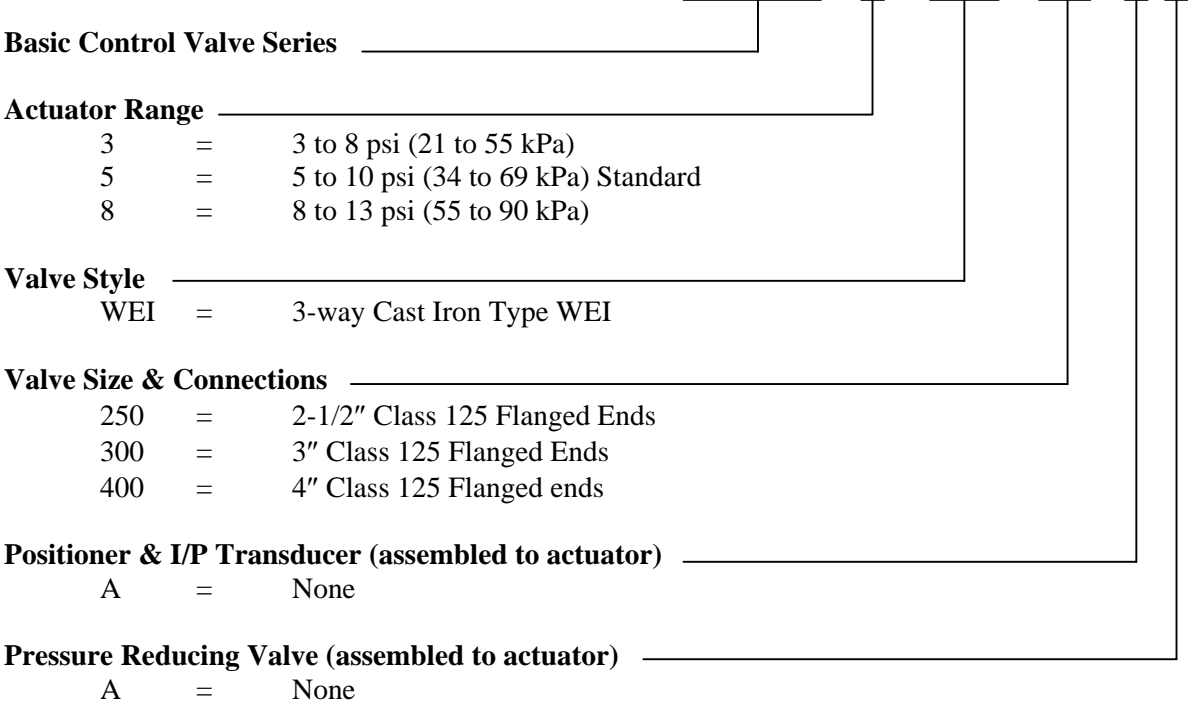
All Robertshaw valve capacities are stated in terms of Cv. Use of the flow coefficient Cv offers a standard approach for valve sizing regardless of type. Cv ratings for Robertshaw valves are determined experimentally in accordance with procedures recommended by the Fluid Controls Institute.

Valve sizes may be calculated using the Cv formulas or Robertshaw’s Flo-Rule (valve sizing slide rule) for any set of flow conditions.

When capacity requirements (pounds of steam per hour, gallons of water per minute, cubic feet of gas per hour, etc.), the supply pressures, pressure drops, and nature of the fluid are known, the numerical Cv value can be obtained. This can be compared with the Cv ratings tabulated for the various valve styles in the “Valve Characteristics” tables in this product specification or on the Cv tables furnished with the Flo-Rule.

**MODEL NUMBER CODING:**

**VC-350A – 5 – WEI – 300 – A A**



**ORDERING INFORMATION**

When ordering specify:

1. Quantity.
2. Control Valve Model Number per above.
3. Medium through the valve.
4. Any special characteristics of flowing medium.
5. Supply pressure to valve.
6. Pressure drop.
7. Shipping & invoicing instructions.



**U.S.A. & Canada**

**Robertshaw Industrial Products**  
**1602 Mustang Drive**  
**Maryville, Tennessee 37801**  
**Phone: (865) 981-3100 Fax: (865) 981-3168**  
**<http://www.robertshawindustrial.com>**

**Exports**

**Invensys Controls**  
**1701 Byrd Avenue**  
**P.O. Box 26544**  
**Richmond, Virginia 23261-6544**  
**Phone: (804) 756-6500 Fax: (804) 756-6561**

**Invensys®**

Q-4175 (10/05)

Printed in U.S.A.