

Robertshaw

INDUSTRIAL PRODUCTS DIVISION

Sales Manual Section 170
PRODUCT SPECIFICATION RL-1620
FLOAT VALVE
RL-1620 Series

Sizes 1/4" thru 4"
Pressures up to 125 psi
Single- or double-seated valves

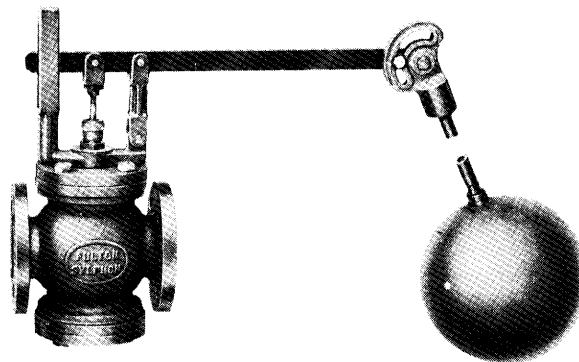
GENERAL DESCRIPTION

The RL-1620 Series Float Valves are used to control level of liquids in open storage tanks, process tanks, spray ponds, cooling tower basins and similar liquid reservoirs. They are widely used in air conditioning installations, power plants, water works, packing plants, chemical plants, and the general industrial field.

These float or level control valves are sturdily built for long, dependable service with minimum maintenance.

Single-seated valves are recommended where tight shutoff is essential. Sizes 1/4" thru 2" are regularly supplied with single-seated valves. On order, sizes 3/4" thru 2" can be supplied with semi-balanced, double-seated type FA valve which should be used for slurries or liquids containing suspended solids.

Sizes 2 1/2" thru 4" are supplied with double-seated type FA valve.



STANDARD SPECIFICATIONS

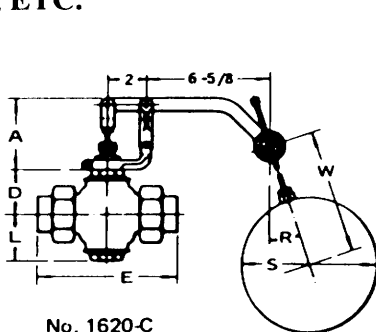
Stock Number		RL-1620-C	RL-1620-D
Valve	Sizes	1/4" thru 1 1/2"	2" thru 4"
(See catalog section No. 8 in back of this catalog for description).	Action	Direct-acting (closes as liquid level rises). Can be made reverse-acting by changing fulcrum.	Same as for RL-1620-C
	Type	Sizes 1/4" and 3/8", type "A" single-seated. Size 1/2", type "A" single-seated, union ends. Sizes 3/4" thru 1 1/2", type "MA" single-seated, union ends.	Size 2", type "MA" single-seated balanced valve with flanged ends (125 lbs. ASA). Type "FA" valve with flanged ends available on order Sizes 2 1/2" thru 4", type "FA" double-seated valve with flanged ends (125 lbs. ASA)
	Trim	Stainless Steel	Stainless Steel.
	Body Matl.	Bronze (steel on order)	Cast Iron
	Body Rating	250 psi	Size 2" ("MA" valve), 125 psi. Sizes 2 1/2" thru 4", 125 psi.
Float	Diameter	7"	10"
	Material	Copper (Stainless Steel or Monel on order)	Same as for RL-1620-C
Float Lever	Material	Bronze	Steel
Float Arm	Material	Bronze, steel pins	Galvanized iron pipe, steel bolts and pins.
Other Parts	Material	Non-ferrous metals	Same as for PL-1620-C

CONTROL CHARACTERISTICS

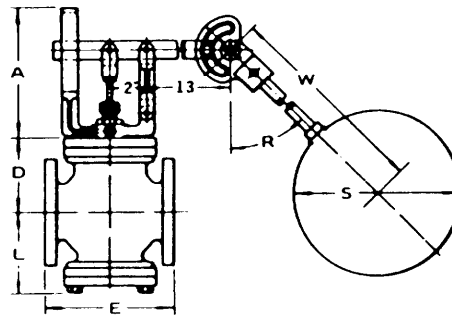
Float level change in inches "T" required to operate valve at given pressures. Calculations for RL-1620-D based on lever arm ratio 7½:1, angle "R" being 0°; RL-1620-C ratio 7:1, angle "R" being 45°. (See dimension drawings, this page.)

Single-Seated Valves										Double-Seated Valves																					
Valve Size Inches	Valve Type	Max Inlet Press.	20 psi		40 psi		60 psi		80 psi		100 psi		125 psi		Valve Size Inches	Valve Type	Max Inlet Press.	20 psi		40 psi		60 psi		80 psi		100 psi		125 psi			
			Float		Float		Float		Float		Float		Float					Float		Float		Float		Float		Float		Float		Float	
			S	T	S	T	S	T	S	T	S	T	S	T				S	T	S	T	S	T	S	T	S	T	S	T	S	T
1/4	A	125	7	0.9	7	1.2	7	1.1	7	1.6	7	1.9	7	2.1																	
3/8	A	125	7	0.9	7	1.2	7	1.1	7	1.6	7	1.9	7	2.1																	
1/2	A	125	7	1.3	7	1.7	7	2.1	7	2.5	7	2.8	7	3.3																	
3/4	MA	250	7	1.7	7	1.7	7	1.7	7	1.7	7	1.7	7	1.7																	
1	MA	250	7	2.1	7	2.1	7	2.1	7	2.1	7	2.1	7	2.1	2 1/2	FA	60	10	3.2	10	3.9	10	4.6			
1 1/2	MA	250	7	3.0	7	3.0	7	3.0	7	3.0	7	3.0	7	3.0	3	FA	40	10	3.7	10	4.5			
2	MA	125	10	5.0	10	5.0	10	5.0	10	5.0	10	5.0	10	5.0	4	FA	25	10	5.0			

DIMENSIONS, ETC.



No. 1620-C



No. 1620-D

Stock Number	RL-1620-C							RL-1620-D			
	½" Screwed Ends		Screwed Malleable Iron Union Ends					Flanged Ends			
Valve Size, Inches	¼	⅜	½	¾	1	1¼	1½	2	2½	3	4
Valve Type	A	A	A	MA	MA	MA	MA	MA	FA	FA	FA
Shipping Wt., Lbs.	9	9	10	15	18	22	26	64	76	90	120
A	3⅞	3⅞	3⅞	3⅞	3⅞	3⅞	3⅞	7½	7½	7½	7½
D	2	2	2⅞	3⅞	3⅞	3⅞	4⅜	4⅞	4⅞	4⅞	5⅞
E	2⅞	2⅞	4⅜	6⅞	7⅞	7½	8½	7	7¾	8⅞	10¼
L	1⅞	1⅞	1⅞	1⅞	1⅞	1⅞	1⅞	2¾	4⅞	5¼	6⅞
W	18	18	18	18	18	18	18	30	30	30	30

HOW TO ORDER

Specify:

1. Stock number
2. Valve Size
3. Valve Trim
4. Medium and pressure through valve
5. If float or other parts are to be of materials other than standard, specify materials.



U.S.A. and Canada
 Robertshaw Industrial Products Division
 1602 Mustang Drive
 Maryville, TN 37801
 Telephone: (865) 981-3100 Fax: (865) 981-3168
<http://www.robertshawindustrial.com>

Exports
 Invensys Appliance Controls
 1701 Byrd Avenue
 P.O. Box 26544
 Richmond, Virginia 23261-6544
 Telephone: (804) 756-6500 Fax: (804) 756-6561

