

INSTRUCTION MANUAL

VIBRASWITCH MALFUNCTION DETECTOR MODEL 365



Robertshaw Industrial Products Division
1602 Mustang Drive
Maryville, TN 37801
Telephone: (865) 981-3100 Fax: (865) 981-3168

Number

909GF083N

P-2384

TABLE OF CONTENTS

<u>Section</u>	<u>Page</u>
I. DESCRIPTION	1
1.1 Description	
1.2 Model Identification	
II. SPECIFICATIONS	1
2.1 Environmental	
2.2 Electrical	
2.3 Performance	
III. INSTALLATION	2
3.1 General	
3.2 Mounting	
3.3 Space Heater	
3.4 Wiring	
IV. OPERATION	7
4.1 Operation	
4.2 Adjustment of Operating Setpoint	
V. MAINTENANCE	9
5.1 Troubleshooting	
5.2 Repairs	
5.3 Replacement Parts	
5.4 Routine Maintenance	

ILLUSTRATIONS

<u>Figure</u>	<u>Page</u>
3-1 Mounting Dimensions and External Wiring for the Vibraswitch, Model 365	3
3-2 (Sheets 1 and 2) Methods of Mounting the Vibraswitch Model 365	4-5
3-3 Preparation of Conduit Wiring	6
3-4 Connection of Conduit Wiring to Unit	6
4-1 Operating Principle for the Vibraswitch Model 365	7
4-2 Setpoint Adjustment	7
4-3 Setpoint Alarm Settings	8

SECTION I – DESCRIPTION

1.1 GENERAL

The Vibraswitch, Model 365, is designed to protect rotating, reciprocating, or similar equipment against serious damage from malfunctions that can be detected as an increase in vibration. A reset and holding coil is provided in the DC/AC voltage as specified, so that accidental shutdowns on starts can be prevented.

The Vibraswitch, Model 365, may be used in conjunction with the Vibraswitch Monitor 563A. The Monitor is a solid-state electronic system designed to “sort-out” false signals received by the Vibraswitch so that Alarm and/or Shutdown of the operating machine will not result from false transient disturbances.

1.2 MODEL IDENTIFICATION

Specify and order instrument models in accordance with the description and variations listed in the table. Dashes are used in the model number only in those spaces as indicated in the example.

365 - A - 4 - H

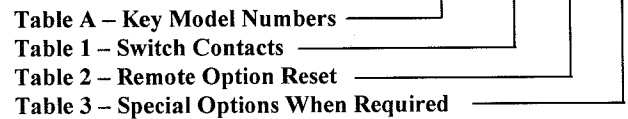


TABLE A - KEY MODEL NO.

Model No.	Description
365	Electric Vibration Detector. Contacts actuate when set point is exceeded. Std. range: 0-4.5g. Special O-Ring shaft for high humidity, salt air atmospheres.

TABLE 1 – SWITCH CONTACTS

Desig.	Description
A	SPDT – Single pole, Double throw load contacts.
D	DPDT – Two single pole, double throw switches.
G	DPDT – Two single pole, double throw sealed switches with gold plated contacts for low voltage/current applications.

TABLE 2 – REMOTE OPTION RESET

Desig.	Description
0	No reset coil.
2	24 volt DC reset coil voltage.
3	240 volt AC reset coil voltage.
4	48 volt DC reset coil voltage.
7	120 volt DC reset coil voltage.
8	120 volt AC reset coil voltage.

NOTES:

Gold plated contacts not CSA Certified or FM Approved.
 240 volt AC reset coil not CSA Certified or FM approved.
 No reset coil and 120 volt DC reset coil not FM Approved.

TABLE 3 – SPECIAL OPTIONS

Desig.	Description
E	Base painted with gray epoxy paint (366). Encl. painted with gray epoxy paint (365).
H	Space heater installed for maintaining internal area of unit moisture free.
EH	Base painted with gray epoxy paint and space heater installed (366). Encl. painted with gray epoxy paint and space heater installed (365).

ACCESSORY ITEMS

Part No.	Description
904GB016	Rainshield for unprotected outdoor installation.
260GG453	Space heater for maintaining internal of unit moisture-free – 120 volt models.
260GG359	Space heater for maintaining internal of unit moisture-free – 48 VDC models.
260GG220	Space heater for maintaining internal of unit moisture-free – 24 VDC models.
260GG469	Space heater for maintaining internal of unit moisture-free – 240 volt models.

NOTE:

Model 365 can be used with Model 563A Vibration Monitor.

SECTION II – SPECIFICATIONS

2.1 ENVIRONMENTAL

Housing Cast aluminum, integral mounting holes.
Weight 6 pounds.
Mounting Location Outdoor, unprotected.
Enclosure Classification – CSA Certified and FM Approved for Class I, Division 1, Groups C and D, and Class II, Division 1, Groups E, F and G.
Ambient Temperature Limits -40°F to +140°F. (-40°C to 60°C)
Humidity To 95% RH @ 100°F (37.8°C).
Shock 40g @ 11 ms maximum.

2.2 ELECTRICAL

Standard Contact Rating:

SPDT – 7 amp max., 460 VAC max., 50/60 Hz Resistive Load.
 0.5 amp max., 120 VDC max., Resistive Load.
 1 amp max., 48 VDC max., Resistive Load.
 2 amp max., 24 VDC max., Resistive Load.

DPDT - 5 amp max., 240 VAC max., 50/60 Hz Resistive Load.
 5 amp max., 30 VDC max., Resistive Load.

Gold plated Contact Rating:

DPDT - 0.1 amp max. 125-250 VAC Resistive Load.
 0.1 amp max. 30 VDC Resistive Load.
 1 mA min. 24 VDC Resistive Load.
 2 mA min. 12 VDC Resistive Load
 5 mA min. 6 VDC Resistive Load.

2.3 PERFORMANCE

Vibration Measurement Range - 0 to 4.5 g (peak) from 0 to 300 Hz (18,000 RPM)

Setpoint Range - 0 to 4.5 g (peak) when mounted horizontal
0 to 3.5g (peak) when mounted vertical

Setpoint Adjustment - 1 turn per g

Reset Coil Power - 24 VDC, 0.5 amp
48 VDC, 0.2 amp
120 VDC, 0.14 amp
120 VAC, 0.3 amp
240 VAC, 0.3 amp

Maximum Energized Time - 4 min.

Standard Reset Coil Voltage - 24 VDC, 48 VDC, 120 VDC,
120 VAC, 240 VAC, 50/60 Hz.

Accuracy - ± 5% of full range from 0 to 300 Hz 18,000RPM)

Ambient Temperature Effect - ± 10%/100°F (55.5°C) max.

SECTION III - INSTALLATION

3.1 GENERAL

Examine the instrument for possible shipping damages. **IMPORTANT:** If for any reason it is determined that the equipment should be returned to the factory, please notify the nearest Robertshaw Tennessee Division sales representative prior to shipment. Each unit must be properly packaged to prevent damage. Robertshaw assumes no responsibility for equipment damaged in shipment due to improper packaging.

Choose the location in accordance with good instrument practice, avoiding extremes of temperature, humidity and vibration. (See SECTION II - SPECIFICATIONS.)

The Model 365 Vibraswitch is CSA certified and FM approved for use in hazardous location as indicated SECTION II, SPECIFICATIONS. If the location is not sheltered, a-Rainshield, Part Number 904GB016, may be obtained from Robertshaw Tennessee Division. In locations where moisture condensation within explosive-proof junction boxes is a problem, a two-watt resistor may be placed across terminal 6 and 7 inside the Vibraswitch cover and wired to provide continuous heat and circulation of air. (See Table 3-1 for resistance values.)

3.2 MOUNTING

Figure 3-2 illustrates the methods of mounting on various pieces of equipment. Figure 3-1 shows the mounting dimensions and external wiring for the Vibraswitch, Model 365.

The Vibration sensitive axis of the Vibraswitch is perpendicular to its mounting base. Therefore, the Vibraswitch must be mounted on a plane that will detect the vibratory motion for which protection is desired. The Vibraswitch may be mounted at any location along the length of machines containing rotating shafts that are horizontal and parallel to the base of the machine; the preferable location being in line with the rotating shaft (Ref. Figure 3-2). Do not mount the Vibraswitch perpendicular to the ends of rotating shafts unless the end play or end-thrust measurement is desired. Normally, bent shafts, unbalances on the rotating mass of the shaft, worn bearings and other anomalies are detected near the bearing housings and at right angles to the shaft.

The Vibraswitch may be mounted in any position between the side (vertical) or the top (horizontal) of bearings or machine housings. It should be noted that when mounting Vibraswitches on top (horizontal position) of equipment the vibration measurement range is as stated in the SPECIFICATION SECTION. However when the Vibraswitch is mounted on a side position (90° from the horizontal), 1 g is subtracted from the measurement range.

If the mounting bracket assembly is used to mount the Vibraswitch due to an irregular mounting surface, it must be constructed of steel having sufficient thickness and properly reinforced so that mechanical resonances are not introduced; usually 1/2" steel plate is satisfactory if the dimensions of the bracket are minimal (Ref. Figure 3-2). It is extremely important that all four corners of the Vibraswitch, as well as the mounting assembly, be rigidly secured to the machine. Exact location is not critical as the adjustment procedure of the Vibraswitch automatically accounts for the normal vibration at that location.

The Vibraswitch, when properly adjusted, trips on a relative increase in vibration.

When installing the Vibraswitch on existing equipment where several convenient mounting positions are available, it is advisable to check the existing vibration level at each possible position before permanently mounting the unit. The Vibraswitch can be used to measure existing vibration by holding or clamping it against the running machine and determining the trip point as described under "ADJUSTMENT" in the manual. Should normal vibration exceed the range of the Vibraswitch, it is recommended that consideration be given to a Robertshaw Velocity-Acceleration Vibration Monitor Model 566.

3.3 SPACE HEATER

In some outdoor installations, it may be necessary to install a space heater to prevent moisture condensation. A small conventional carbon 2 watt resistor should be installed across terminals 6 and 7 in the detector. Proper values are shown in Table 3-1.

Table 3-1. Space Heater Resistor Values

VOLTAGE (AC OR DC)	SPACE HEATER RESISTOR (Ohms)
240	56,000
120	12,000
48	2,200
24	620

3.4 WIRING

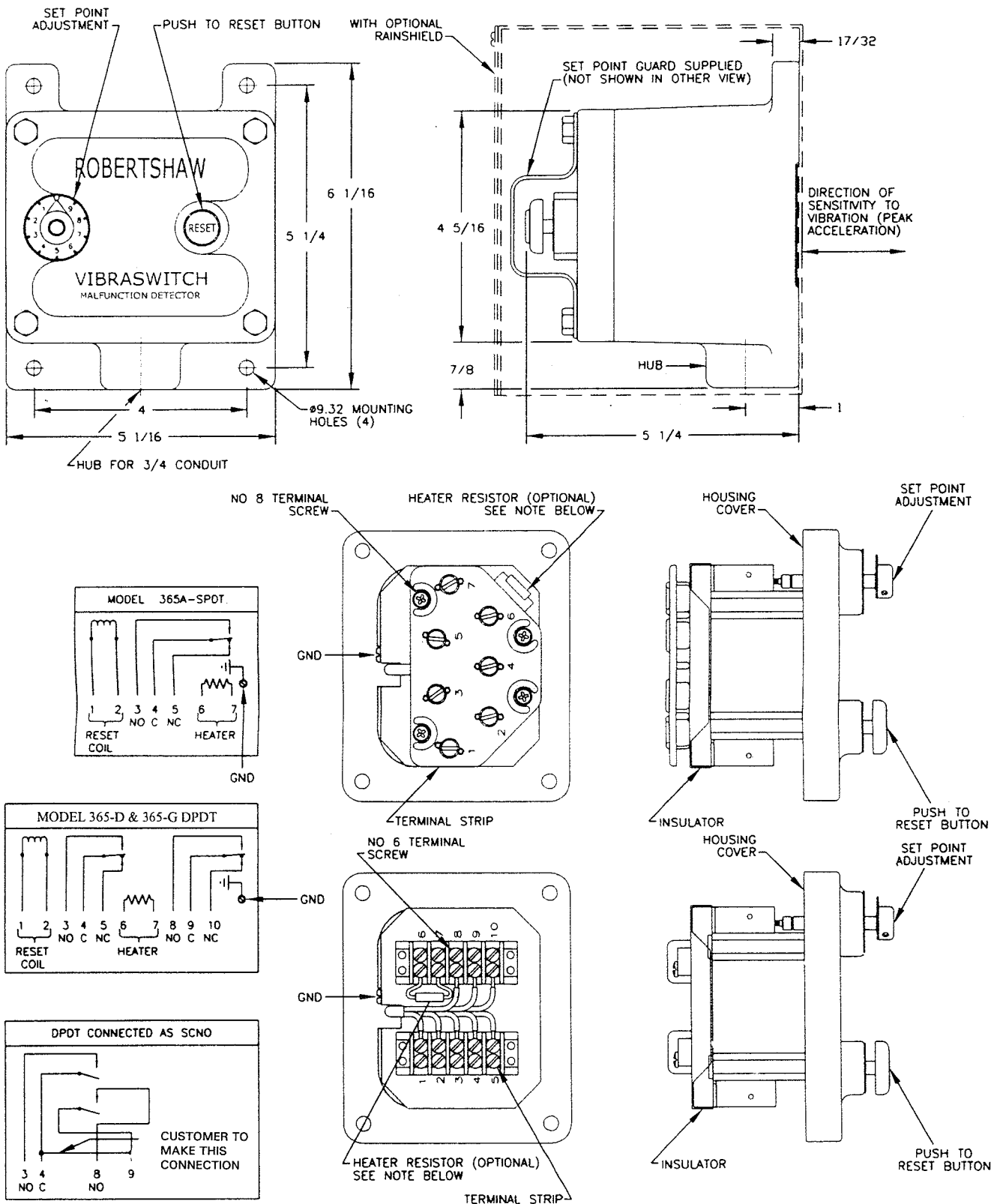
The vibraswitch Model 365, is equipped with a threaded hub for 3/4" conduit. When the vibration amplitude is large (i.e., greater than 5 mils) it is good practice to use a short length of flexible conduit to serve as an isolator between the rigid conduit and the Vibraswitch. Wiring into the unit should be done with #18 stranded wire although #14 can be used where necessary. The Vibraswitch was not designed for wiring with heavy solid wire. However, where necessary to use a heavier wire, as in low voltage DC units, a junction box near the Vibraswitch should be used.

NOTE

The instrument housing must be sealed at the conduit outlets with a suitable compound or "trap" to prevent infiltration of moisture-laden air or corrosive gases into the housing.

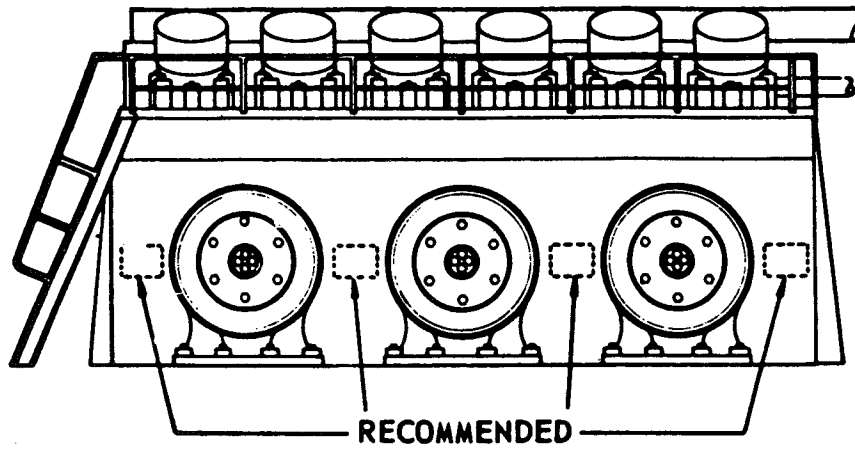
NOTE

All instrument installation wiring must be done in accordance with local codes and commonly accepted practices.

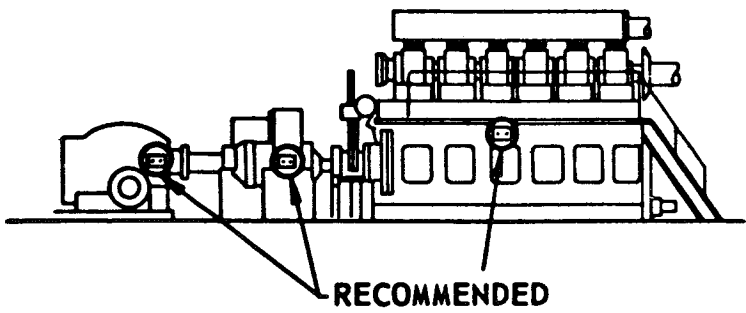


1. Switch shown in normal or reset position - reverses on actuation from increased vibration.
2. Standard Coil Voltages: 24 VDC, 48 VDC, 120 VDC, 120 VAC, and 240 VAC.
3. Heater resistor installed across terminals 6 and 7 to prevent condensation in housing where climate conditions require. (Supplied only when specified.)
4. If Manual Reset Only is desired, do not apply power to reset coil.
5. For Single Pole operation of the Model 365-G (gold contacts) it is recommended to connect the two poles in parallel by adding jumpers between 3 and 8, 4 and 9, 5 and 10.

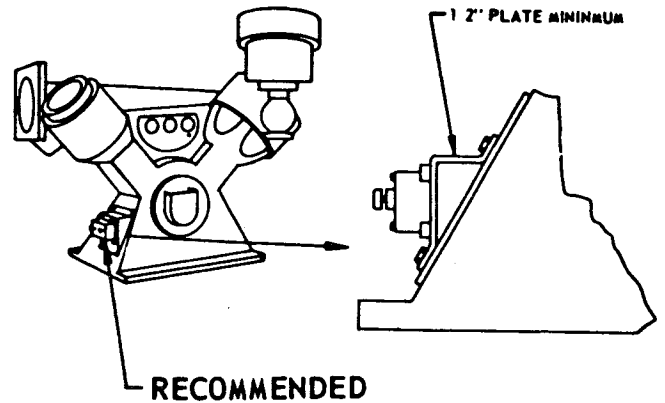
Figure 3-1. Mounting Dimensions and External Wiring for the Vibraswitch, Model 365.



DIESEL ENGINE - COMPRESSOR UNIT

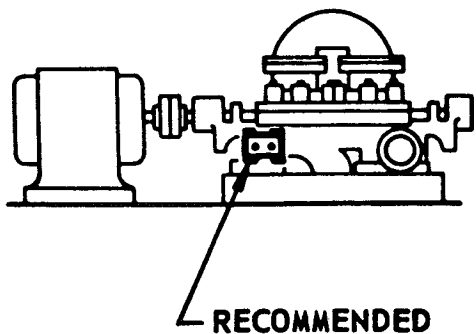


ENGINE - GEAR - CENTRIFUGAL COMPRESSOR

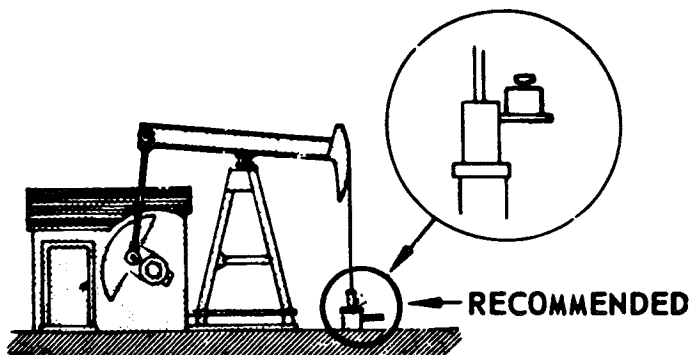


RECIPROCATING COMPRESSOR "Y" TYPE

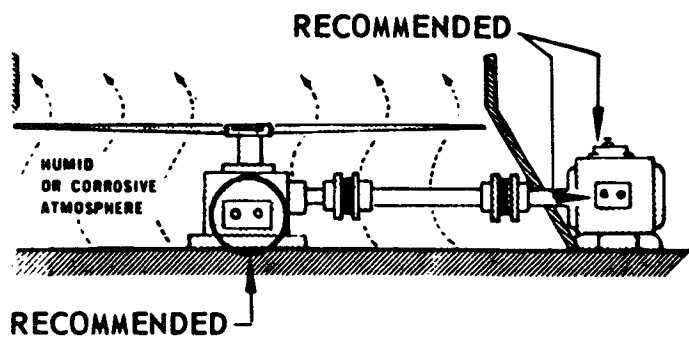
Figure 3-2. (Sheet 1 of 2) Methods of Mounting the Vibraswitch, Model 365.



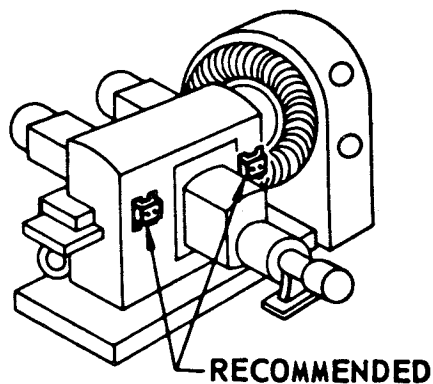
CENTRIFUGAL PUMP



PUMPING UNIT



COOLING TOWER FAN



**HORIZONTAL OPPOSED
RECIPROCATING COMPRESSOR**

Figure 3-2. (Sheet 2 of 2) Methods of Mounting the Vibraswitch, Model 365.

To avoid unnecessary difficulty in wiring the unit, the following procedure should be followed:

- a. When threading conduit, cut the wires so that all wires project beyond the housing surface approximately $1\frac{1}{2}$ inches as shown in Figure 3-3. Do not later pull wires tight as you will be unable to remove cover holding the mechanism.

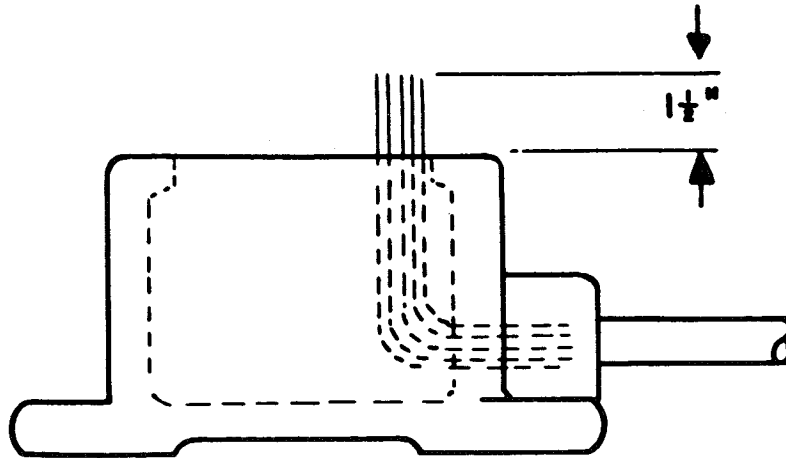


Figure 3-3. Preparation of Conduit Wiring.

- b. Strip wires back $\frac{1}{4}$ " and install solderless terminals.
- c. Place the Vibraswitch in position shown in Figure 3-4 and connect wires to corresponding terminals:

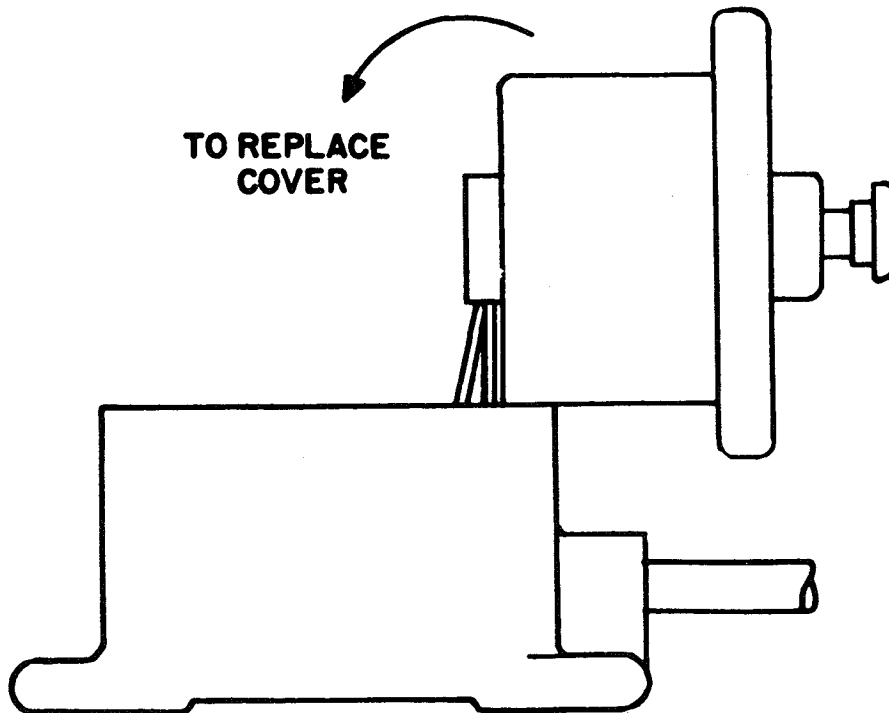


Figure 3-4. Connection of conduit Wiring to Unit.

- d. Flatten wires entering housing against wall on hub side and rotate cover into place, pushing extra wire into corners near hub.
- e. Replace cover bolts, tighten to 75-100 inch lbs. Do not add setpoint guard until final adjustments are made.

SECTION IV - OPERATION

4.1 OPERATION

The Vibraswitch, Model 365 (Ref. Figure 4-1), is sensitive to vibration in a direction (the sensitive axis) perpendicular to its mounting base. It contains a vibration detecting mechanism, which also functions as a 'mechanical amplifier', to activate a snap-action switch when the selected level of vibration is exceeded and the detecting mechanism "trips".

The detecting mechanism consists of an armature suspended on a flexure pivot which is restrained from motion by a permanent magnet (the holddown magnet). In the 'armed' condition, the armature is held against the stop pin by the holddown magnet. The stop pin maintains a precise air gap between the armature and the holddown magnet. On the opposite end of the armature, the compression spring provides an adjustable force to oppose the force of the holddown magnet. Whenever the peak vibration inertial force (mass x acceleration) plus the adjustable compression spring force exceeds the force of the holding magnet, the armature is released and is pulled into the latching magnet ("tripped" position). Simultaneously, it activates the snap-action switch. This detecting mechanism has a uniform response from 0 to 300 Hz over a range of 0 to 4.5 g's.

The mechanism may be reset to the "armed" position manually (locally) or electrically (remotely). Manually, depress the reset button to move the armature away from the latching magnet ("tripped" position) until it is held against the stop pin ("armed" position). Electrically, the reset coil may be activated to pull the armature into the "armed" position against the stop pin.

A reset and holding coil is provided, in the DC/AC voltage as specified, so that accidental shutdowns on starts can be prevented. External time-delay relay circuits are required to maintain voltage at the holding coil during startup period and then release this voltage when operation is normal. At full voltage the reset coil should not be energized for more than four minutes to prevent overheating. Then, the reset coil must be de-energized for a period of 10 minutes before reenergizing. For longer hold-in requirements the reset coil should be energized at full voltage and then held-in at one-half the rated voltage.

The Vibraswitch, Model 365, may be used in conjunction with the Vibraswitch Monitor, Model 563A. The Monitor is a solid-state electronic system designed to "sort-out" false signals received by the Vibraswitch so that Alarm and/or Shutdown of the operating machine will not result from false, transient disturbances. Examples of transient disturbances are the closing of pipeline check valves on pumping applications, the start-up of additional pumps on a line, and the initial start-up of various operating machines. These disturbances may cause the Vibraswitch to "trip-out" if the vibratory shock level is in excess of its setpoint.

The purpose of the Vibraswitch Monitor is to "supervise" and "sort-out" the transient disturbances so that Alarm or Shutdown is not falsely imposed on the machine being monitored, but any continuous vibration level which exceeds the Setpoint of the Vibraswitch will cause Alarm and/or Shutdown.

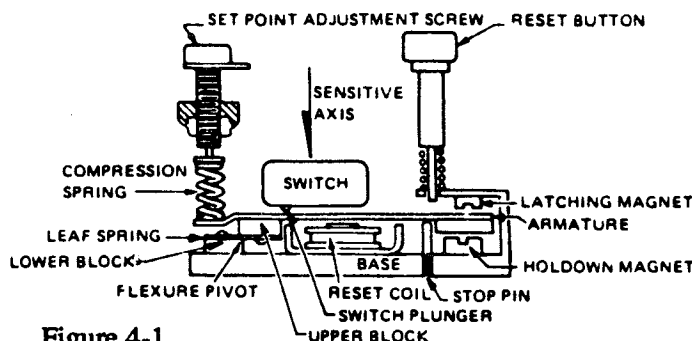


Figure 4-1.

Operating Principal for the Vibraswitch, Model 365.

4.2 ADJUSTMENTS OF OPERATING SETPOINT

The operating setpoint for the Vibraswitch varies with the type of machine and its location (measurement point) on the machine. The setpoint adjustments suggested in this manual are for machines which are functioning in a "good" or "normal" condition. This method follows the concept of vibration tolerance for the machine and in this case is dependant upon an individual who is experienced in the operation of the machine vibration as "normal", "fair", "slightly rough", etc. These various degrees of machine vibration are therefore, based on the individual's physical perception between normal and abnormal roughness while the machine is operating.

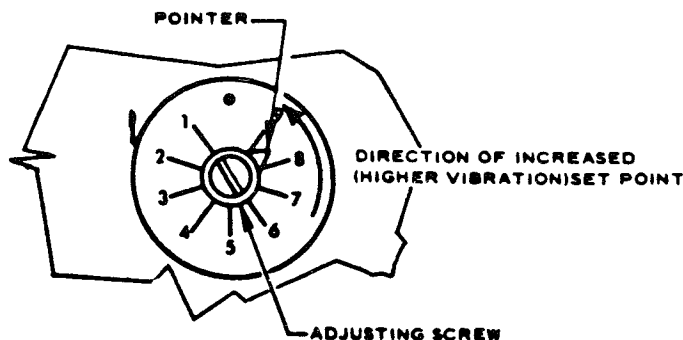
It is agreed that this method can lead to differences in the classification of degree of vibration between individual observers. It is Robertshaw's contention, and experience bears out this conclusion, that if the machine is operating satisfactorily as previously defined and the acceleration as measured by the Vibraswitch is within certain limits, the settings as outlined in the instructions will offer protection to the machine and prevent catastrophic failure.

For example, assume that a relatively new machine which, in the experience of the operator, is operating as 'smooth' or 'good' regarding vibration and the Vibraswitch measures this acceleration level to be 0.25 g above its static condition (zero). Experience suggests that a reasonable level for alarm conditions would be a minimum of twice this value or 0.5g. It must be acknowledged that such a definition of upper vibration limits (alarm condition) on the machine may not have adequately defined the upper tolerance limit of the machine before major repairs or excessive machine damage. It does, however define a limit which, in our experience, has proven to be safe. As the user becomes more adept in using the Vibraswitch as monitoring device, his experience may dictate a higher setpoint more in keeping with the experience he has gained on the particular machine.

The Model 365 Vibraswitch is adjusted by a simple three-step procedure (Ref., Figure 4-2)

a. Zero Vibration Level Measurement

With the equipment on which the Vibraswitch is mounted not operating, back off the Setpoint adjusting screw counterclockwise (CCW) two turns and press the reset button. Then turn the Setpoint adjusting screw slowly clockwise until actuation occurs (the armature assembly is against the latch magnet, Figure 4-1). This is the zero vibration point, or actuating point, with the machine not operating. A mark should be made with a lead pencil or other convenient means to permanently record this "zero" vibration point." Subsequent measurements are made relative to this point.



NOTE:

Each scale division is 0.1 g.
One full revolution is 1.0 g

Figure 4-2. Setpoint Adjustment

b. Normal g-level Measurements

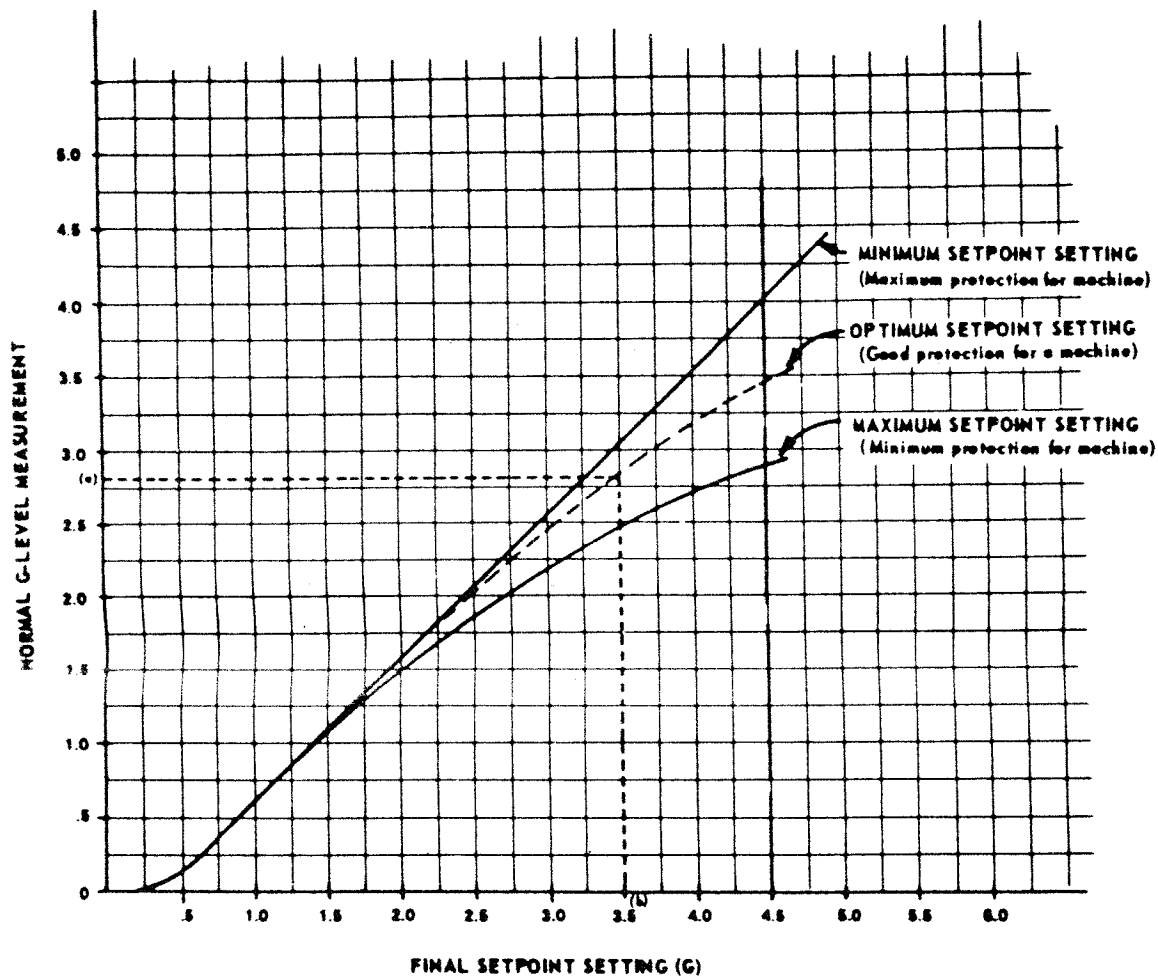
With the machine (equipment) operating, back off the Set point adjusting screw one turn CCW and reset. If it will not reset, back off the Set point adjusting screw two turns CCW etc. Again turn the Set point adjusting screw slowly clockwise until actuation occurs. Mark this position with a lead pencil or other convenient means. **The difference between the two actuating points in Steps a and b is the normal g-level of the operating machine, in scale divisions.** One scale division is 0.1 g; one full revolution is 1.0 g.

c. Final Set point Adjustment

If the "normal" g-level is less than 1.0 g above the zero level, rotate the Set point adjusting screw CCW 0.5 g (five graduations) from the point where actuation occurs in Step b above. If the "normal" g-level is greater than 1.0 g refer to Figure 4-3 for the proper Final Set point setting with respect to the "normal g-level vibration point" obtained in Step b. See example in Figure 4-3.

NOTE

In preceding adjustments, actuation can be heard as an audible "click". In the very noisy surroundings, it may be necessary to use an ohmmeter or wire the Vibraswitch to the control circuit to tell when actuation occurs.



EXAMPLE: If the Normal G-Level (a) is 2.8 g above the Zero Vibration Level, the Final Setpoint Setting (b) should be set at 3.5 g above the Vibration Level. Therefore, advance the Setpoint Pointer CCW .7 (3.5 g - 2.8 g = .7 g) or 7 divisions (one scale division is .1 g) from the Normal G-Level.

Figure 4-3. Setpoint Alarm Settings.

SECTION V – MAINTENANCE

909GF083N

5.1 TROUBLE SHOOTING

Vibraswitches do not normally require any repair, however, listed below are some of the possible malfunctions that may occur and their recommended solutions.

NOTE

Whenever tightening cover bolts tighten to 75 – 100 inch lbs (8.5 – 11.3 Nm).

a. Functional Test (Ref. Figure 4-1)

This test may be performed with the Vibraswitch in its housing or removed from its housing. Therefore, it is not necessary to remove the housing from the machine.

1. Place the Vibraswitch on a table with the mounting surface or terminal blocks down on the table (set point adjusting screw and reset button facing up).

2. Press the reset button. If switch does not reset (armature latched on stop pin), turn set point adjustment screw CCW until switch can be manually reset.

3. Slowly turn set point adjusting screw CW until switch trips. This is the zero trip point which is the amount of spring tension required to overcome the 1 g force exerted by the earth's gravitational pull.

4. Note set point setting. One complete turn equals approximately 1 g. Set point scale is marked in 0.1 g increments. Turn set point adjustment screw one complete turn CCW. This is a 1 g setting above the earth's gravitational pull.

5. Manually reset the switch (press reset button).

6. With the reset button to your left and the set point adjustment screw to your right, slowly rotate the Vibraswitch toward you 90°. The switch should trip when the mounting surface or terminal block is in a vertical plane and the earth's gravitational pull is not aiding the holddown (lower) magnet to hold the armature against the stop pin.

Return the Vibraswitch to the factory if it does not pass the above test.

b. Vibraswitch Will Not Reset

1. **Dirt and/or metal chips on magnet** – clean magnets without removing or rotating them.

2. **Broken Leaf Spring (Ref. Figure 4-1)** – Return the Vibraswitch to the factory for repair.

3. Open Reset Coil –

Check for continuity and proper coil resistance as specified in Table 5-1.

Table 5-1
Reset Coil Resistance

NOMINAL VOLTAGE	RESISTANCE (OHMS ± 10%)
24 VDC	55
48 VDC	230
120 VDC	850
120 VAC 240 VAC	Check for continuity. (Diode prevents actual resistance reading)

If coil fails continuity/resistance check replace coil or return the Vibraswitch to the factory for repair.

c. Unable to adjust Set Point Setting to Obtain Tripping *Improper air gap between Holddown (lower) Magnet and Armature* –

Return the Vibraswitch to the factory for repair.

d. Switch does not actuate

Defective Switch – verify by manually moving the Armature between the latched (tripped) position and the armed (reset) position and listen for an audible click of the switch. Verify contact by performing a continuity check.

If the switch is defective or requires adjustment it is recommended that the Vibraswitch be returned to the factory for repair. If the internal switch is to be replaced or adjusted in the field make sure that the actuation point occurs at mid travel of the armature (lever).

5.2 REPAIRS

It is recommended that Vibraswitches be returned to the factory for repair. The factory has the special equipment and gages for making the critical adjustments and calibrations that may be required, replacement parts that may be needed, and the technical knowledge required for evaluating and repairing Vibraswitches. Contact your local Robertshaw representative or the factory for a return authorization and instructions.

In some cases it may be necessary to replace parts in the field. When this is the case only the parts listed in Section 5-3 should be replaced in the field. All other parts require replacement at the factory.

NOTE

WARNING – When replacing parts in the field, do not remove or readjust the magnets, stop pin, leaf springs, armature or any parts associated with the armature. (See Figure 4-1.)

If an internal switch is to be replaced, the new switch should be adjusted so that it trips when the armature (lever) is at mid travel.

5.3 REPLACEMENT PARTS

Parts are common to all models unless noted.

Description	Part Number
Bolt, Cover, 1/4-20 x 1.25	435KB157-38
Coil, Reset (365-A2)	160KB044-03
Coil, Reset (365-A3 & A8)	160KB044-06
Coil, Reset (365-A4)	160KB044-02
Coil, Reset (365-A7)	160KB044-07
Coil, Reset (365-D2 & G2)	160KB047-03
Coil, Reset (365-D3, D8, G3 & G8)	160KB047-05
Coil, Reset (365-D4 & G4)	160KB047-02
Coil, Reset (365-D7 & G7)	160KB047-06
Guard, Set Point Adjustment Screw	020KB233
Label, Reset Button	159KB119
Pointer, Set Point	150KB154
Reset Assembly	420KB035-01
Resistor, Space Heater, 12 V (365-A)	260GG255
Resistor, Space Heater, 12 V (365-D, G)	904GC402-01
Resistor, Space Heater, 24 V (365-A)	260GG220
Resistor, Space Heater, 24 V (365-D, G)	904GC402-02
Resistor, Space Heater, 48 V (365-A)	260GG359
Resistor, Space Heater, 48 V (365-D, G)	904GC402-03
Resistor, Space Heater, 120 V (365-A)	260GG453
Resistor, Space Heater, 120 V (365-D, G)	904GC402-04
Resistor, Space Heater, 240 V (365-A)	260GG469
Resistor, Space Heater, 240 V (365-D, G)	904GC402-05
Resistor, Space Heater, 460 V (365-A)	260GG559
Resistor, Space Heater, 460 V (365-D, G)	904GC402-06
Resistor, Voltage Dropping (240 V)	260KB106-06
Ring, Retaining	425GX019
Screw, Set Point Adjustment	435KB258
Switch, SPDT (365-A)	909GM142-07
Switch, DPDT (365-D)	900SA647-02
Switch, DPDT, Gold Contacts (365-G)	900SA726-03
Varistor, 120 VAC (365-A8)	260KB183
Varistor, 120 VAC (365-D8, G8)	904GC341
Varistor, 240 VAC (365-A3)	260KB183-03
Varistor, 240 VAC (365-D3, G3)	904GC341-01
Washer, Flat, Cover Bolt, 1/4	447GB116

5.4 ROUTINE MAINTENANCE

Vibraswitches do not normally require any maintenance, however, a periodic simple functional test and visual inspection is recommended. This should be performed at least once a year.

Functional tests and visual inspections should be performed with all power to the Vibraswitch disconnected and the equipment on which the Vibraswitch is mounted not running. The Vibraswitch housing does not require removal from the machine for the functional test and visual inspection.

a. Simple Functional Test

1. Remove the Vibraswitch from the housing.
2. Note the position of the set point adjusting screw.
3. Press the reset button to make sure that the Vibraswitch is in the armed position.
4. Slowly turn the set point adjusting screw CW until the switch trips. This can usually be determined by hearing an audible click.
5. Rotate the set point adjusting screw CCW until it is in the original position.
6. Press the reset button. The Vibraswitch should now be in the armed (reset) position.

b. Visual Inspection

1. Inspect the Vibraswitch mechanism and housing interior for signs of corrosion and moisture.
2. Replace the Vibraswitch into the housing. Tighten cover bolts to 75 – 100 inch lbs (8.5 – 11.3 Nm).

c. Recalibration

This should not be necessary, however, if it is felt that the set point may not be correct refer to paragraph 4.2.

Industrial Products

U.S.A. and Canada

Robertshaw Industrial Products Division
1602 Mustang Drive
Maryville, TN 37801
Telephone: (865) 981-3100 Fax: (865) 981-3168
<http://www.robertshawindustrial.com>

Exports

Invensys Appliance Controls
1701 Byrd Avenue
P.O. Box 26544
Richmond, Virginia 23261-6544
Telephone: (804) 756-6500 Fax: (804) 756-6561