

SERIES SL85

NorthStar™ brand

Bearingless Encoder

Key Features

- **Bearingless Design Mounts to 180 C-Face Motors**
- **Magneto-Resistive Technology Resists Dust, Dirt, Oil, Water, and Other Contaminants**
- **Dual-C-Face Versions Available for “Sandwich” Mounting**
- **Single or Dual Isolated Outputs Available**
- **New Model Available with Larger Air Gap and Diagnostic LED. See ST85.**



SPECIFICATIONS

STANDARD OPERATING CHARACTERISTICS

Code: Incremental, Magnetic
Pulses per Revolution: 64-1024 PPR
Phasing Sense: A leads B for Counter-Clockwise rotation (CCW) viewing encoder-mounted end
Quadrature Phasing: $90^\circ \pm 22^\circ$
Symmetry: $180^\circ \pm 54^\circ$
Index: 270° , ungated (optional gated to falling B edge)
Number of Output Modules: Single or Dual

ELECTRICAL

Input Power Requirements: 5-15 Volts DC, 45 mA typical per sensor module plus line driver load
Output Signals:
 4428 Differential Line Driver: 150mA, sink or source
 IC-WE Differential Line Driver: 150mA, sink or source
Frequency Response: 0 - 120kHz Data & Index.
 Please refer to our performance curve diagram for frequency and temperature details**

ELECTRICAL (CONT.)

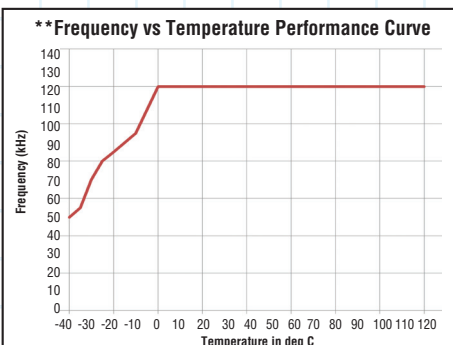
Noise Immunity: Tested to EN61326-1
Electrical Immunity: Reverse polarity and short circuit protected
Connector: 10 pin industrial duty latching, sealed NEMA 4 & 12, IP65

MECHANICAL

Bore Size: 5/8" to 3.75"
Mounting Configuration: 8.5" 180 C-Face Mount for NEMA MG1 standards
Max: Shaft Speed: 5,000 RPM
Shaft Length Required: 1.0" min
Allowable Shaft End-Play: $\pm 0.050"$
Allowable Shaft Runout: 0.003" TIR
Acceleration Rate: 3600 rpm/sec max
Housing Material: Cast Aluminum
Weight: 9.2 lbs

ENVIRONMENTAL

Operating Temperature Range:
Standard: -40°C to $+90^\circ\text{C}$
Extended: -40°C to $+100^\circ\text{C}$
Storage Temperature Range: -40°C to $+120^\circ\text{C}$
Shock (Sensor Module): 30 G's Min
Vibration: 18 G's @ 5-2000 Hz spectrum
Humidity: Up to 98% (non-condensing)



ELECTRICAL CONNECTIONS

Signal	Connector Pin	Pigtail Cable	MS 3102E18-IT#
Common	1	Black	F
B	2	Green	B
A	3	Blue	A
Z *	4	Violet	C
No Connection	5	—	E
Vcc (5-15 VDC)	6	Red	D
B	7	Yellow	I
A	8	Gray	H
Z *	9	Orange	J
Shield	10	Braid	G

* Index (Z) optional. See Ordering Information

Ordering Information

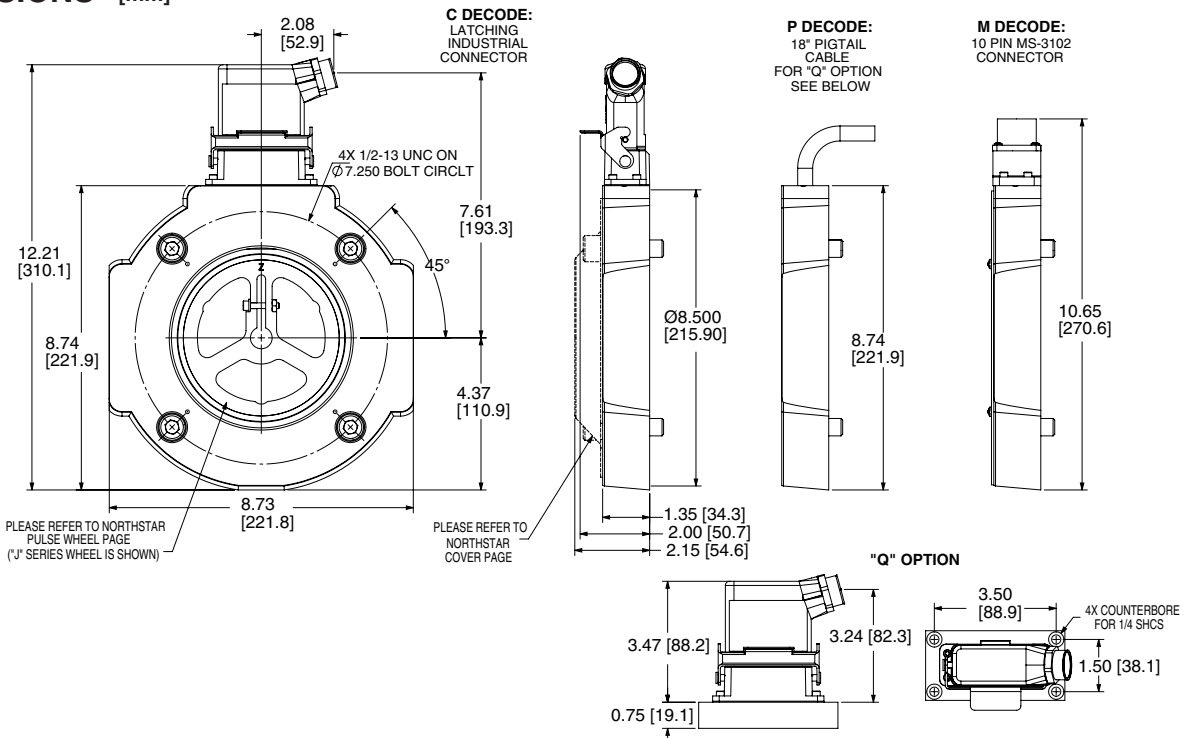
To order, complete the model number with code numbers from the table below:

Code 1: Model	Code 2: PPR	Code 3: Index	Code 4: Wheel Bore	Code 5: Termination	Code 6: Electrical	Code 7: Cover/Adapter
<input type="checkbox"/> 8	<input type="checkbox"/> <input type="checkbox"/> <input type="checkbox"/> <input type="checkbox"/>	<input type="checkbox"/>	<input type="checkbox"/> <input type="checkbox"/> <input type="checkbox"/>	<input type="checkbox"/>	<input type="checkbox"/>	<input type="checkbox"/>
Ordering Information						
S8 Motor Mount Ring, for 8 1/2" C-Face Motors (180C) Single Output D8 Motor Mount Ring, for 8 1/2" C-Face Motors (180C) Dual Output	0064 0128 0256 0512 1024	L No Index Available when Code 2 is 0512, or 1024 G Gated Index (Z, \bar{Z}) Z Differential Index (Z, \bar{Z})	J04 5/8" J05 7/8" J06 1.00" J07 1-1/8" K09 1-3/8" K10 1-1/2" K11 1-5/8" K12 1-3/4" K13 1-7/8" K14 2.00" K15 2-1/8" K16 2-1/4" K17 2-3/8" K18 2-1/2" K19 2-7/8" For additional bore sizes up to 3.75" maximum, please consult factory. End of Shaft Mounting for GE & Emerson Motors N01 1.125" EOS N06 2.125" EOS N08 2.375" EOS N10 2.875" EOS	C Latching Industrial Connector with 1/2" NPT M 10 pin MS Connector Double C-face Sandwich Version D 1" Extended Height Connector E 3" Extended Height Connector F Latching Industrial Connector without Mating Connector G 1" Extended Height Latching Industrial Connector without Mating Connector H 3" Extended Height Latching Industrial Connector without Mating Connector P 18" Pigtail Cable Q Latching Industrial Connector on 18" Pigtail Cable R Latching Industrial Connector on 18" Pigtail Cable without Mating Connector	L 5-15V in, 5-15V Line Driver (4428) out H Same as L with extended temp. to 100°C V 5-26V in, 5-26V Line Driver (IC-WE) out 5 5-15V in, 5V Line Driver (4428) out Differential, bidirectional signals (A, \bar{A} , B, \bar{B})	C Standard Flat Cover E Extra heavy duty steel pie pan cover F Flat Thru-hole cover <div style="border: 1px solid black; padding: 5px; width: fit-content;"> Grounding brush kits available for End of Shaft Mounting, Consult Factory for ordering </div>

Note: See ACCESSORIES Section For Connectors, Spare Parts and Pulse Wheels

DIMENSIONS inch [mm]

STANDARD HOUSING – SINGLE C-FACE



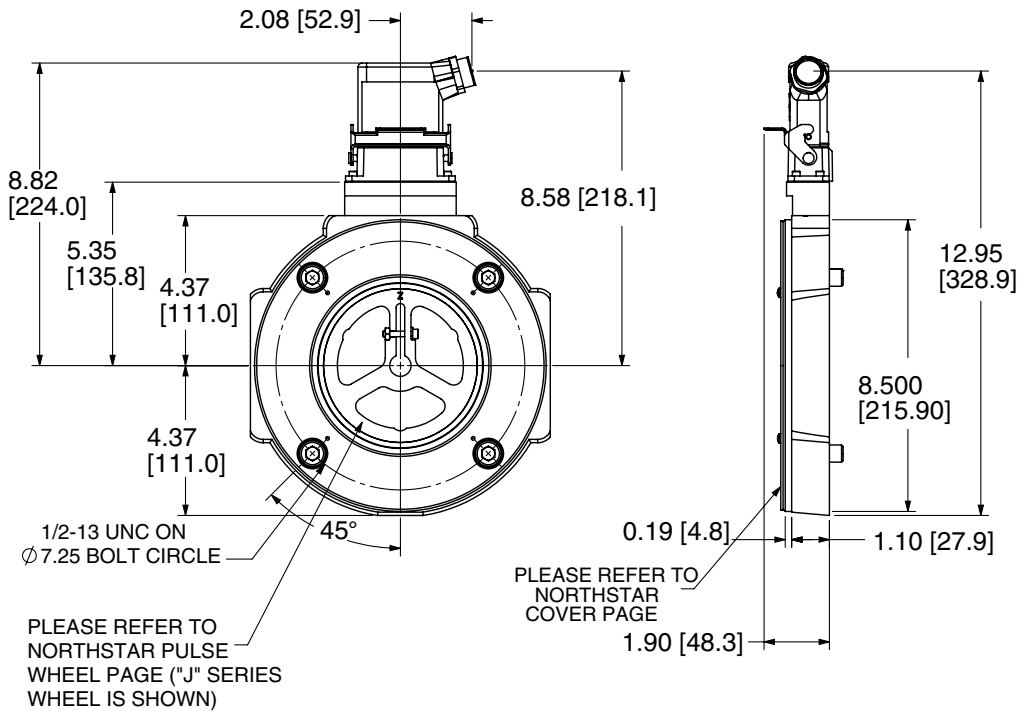
SERIES SL85



DIMENSIONS inch
[mm]

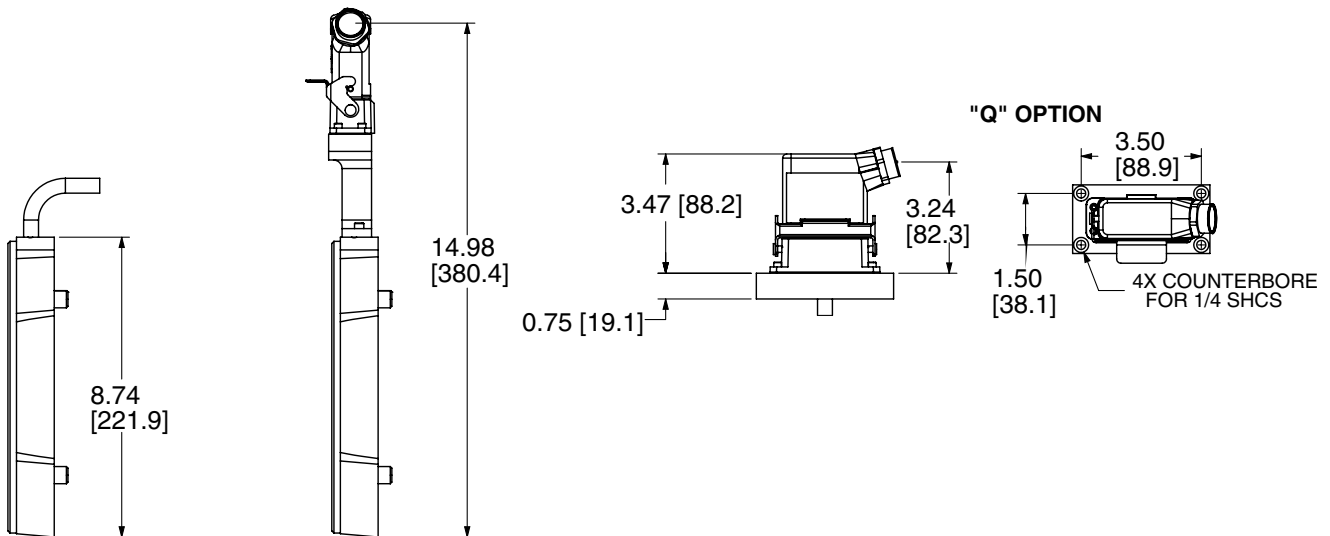
DOUBLE C-FACE HOUSING

D-DECODE:
DOUBLE C-FACE
INDUSTRIAL
1" EXTENDED HEIGHT
LATCHING CONNECTOR



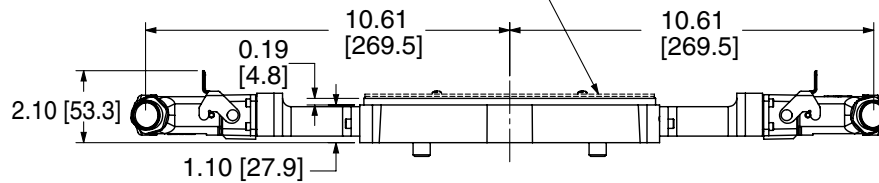
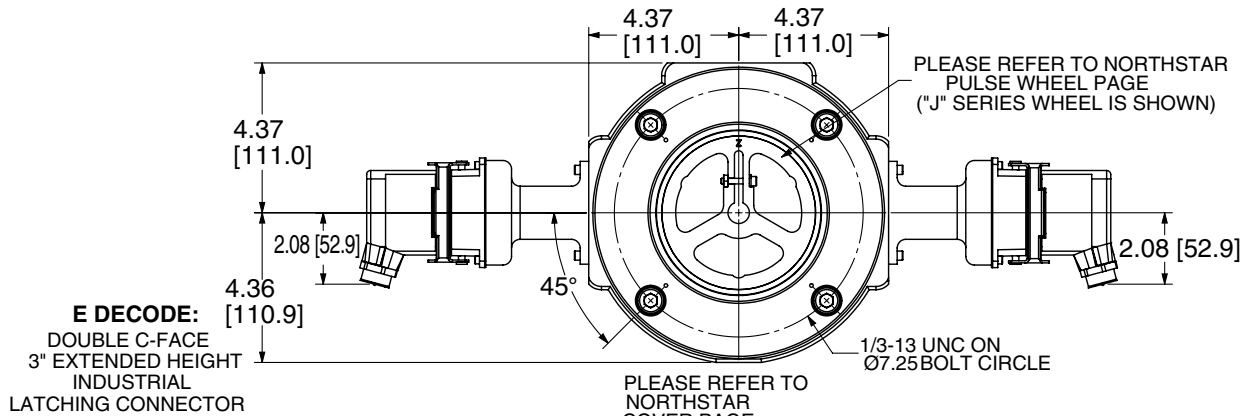
P-DECODE:
DOUBLE C-FACE
18" PIGTAIL
SEE "Q"
OPTION BELOW

E-DECODE:
DOUBLE C-FACE
3" EXTENDED HEIGHT
INDUSTRIAL
LATCHING CONNECTOR

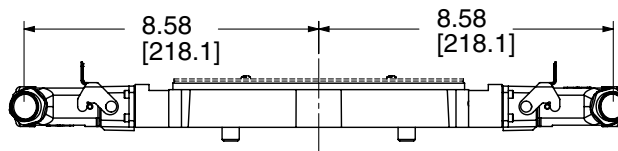


DIMENSIONS inch [mm]

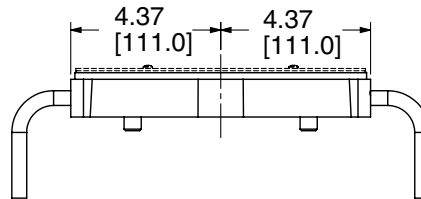
DUAL OUTPUT HOUSING



D DECODE:
DOUBLE C-FACE
1" EXTENDED HEIGHT
INDUSTRIAL
LATCHING CONNECTOR



P DECODE:
DOUBLE C-FACE
18" PIGTAIL
SEE "Q" OPTION
AT RIGHT



"Q" OPTION

