

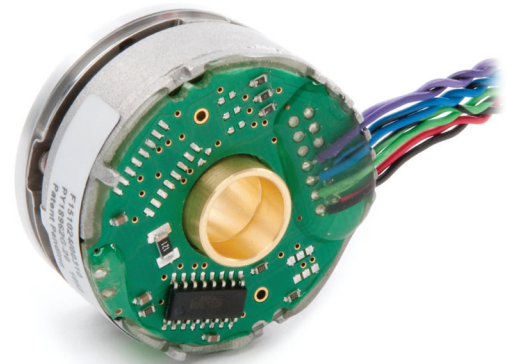
SERIES F15

Dynapar™ brand

For Stepper & Small Servo Motors

Key Features

- **Digital Encoder with Flex Servo Ring Easily Replaces Size 15 Resolver**
- **Short 0.88" Mounting Depth with Jam Nut Shaft Fixing Makes Installation Easy**
- **Superior +/-2.5° Arc-Min Accuracy**



SPECIFICATIONS

STANDARD OPERATING CHARACTERISTICS

Code: Incremental with commutation option, Optical
Resolution: 1024 or 2048 PPR incremental with 6 or 8 pole commutation channels

Accuracy: Incremental: ± 2.5 arc-mins. max. edge to any edge; Commutation: ± 6 arc-mins. max.

Phasing for CCW rotation of motor shaft :
 A leads B by 90° and U leads V leads W by 120°.

Minimum edge separation A to B is 45°.

Index to U channel: +/- 1° mech. index pulse center to U channel edge.

Index Pulse Width: 90° gated A and B high

ELECTRICAL

Input Power Requirements: 5±10% VDC at 100 mA max (incremental and commutation), excluding output load

Output Signals:

Incremental: 26LC31 Differential Line Driver, sink / source 40 mA max.

Commutation: Open Collector w/2.0 k Ω pull-ups, 8 mA sink max.; or 26LC31 Differential Line Driver, sink / source 40 mA max.

Frequency Response: 300 kHz, max.

Termination: Flying leads, stranded 26 AWG, twisted pair, PVC insulation, 6.5" length ± 0.5 "

MECHANICAL

Bore Diameter: 0.375" (9.53mm)

Bore Dia. Tolerance: +0.001"/-0.000" (+0.025 mm/-0.000 mm)

Dimensions: Outside Diameter : 1.45" (36.8mm), max.; Height: 0.87" (22.1mm), max.

Mating Shaft Runout: 0.002" (0.05 mm) max. (Includes shaft perpendicularity to mounting surface)

Mating Shaft Axial movement: ± 0.010 " (± 0.25 mm), max.

Mounting: 1.435" (36.45mm) servo ring with integral flexure (size 15 pancake resolver equivalent)

Acceleration: 100,000 rad/sec.² max.

Velocity: 5,000 RPM continuous; 12,000 RPM peak

Moment of Inertia: 3.59X10⁻⁵ in-oz-sec.² (2.5 gm-cm²)

Housing & Cover Material: Housing: cast aluminum; Servo Ring: glass reinforced engineering resin; Hub: brass; Disc: 0.030" (0.76mm) thick glass

Weight: 1.6 oz. (45 gm) typ.

ENVIRONMENTAL

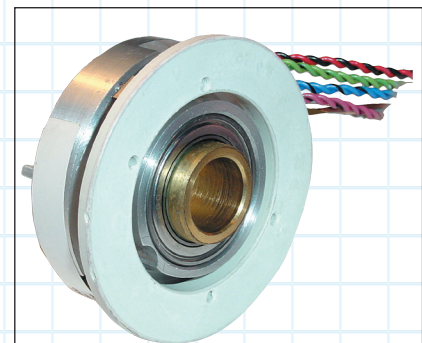
Operating Temperature: 0° to +120°C

Storage Temperature: 0° to +120°C

Shock: 50 Gs for 6 msec duration

Vibration: 2.5 Gs at 5 to 2000 Hz

Humidity: 90% (non-condensing)



Servo ring mounting with integral flexure is size 15 pancake resolver



Headquarters: 1675 Delany Road • Gurnee, IL 60031-1282 • USA

Worldwide Brands: NorthStar™ • Dynapar™ • Hengstler™ • Harowe™

Customer Service:

Tel.: +1.800.873.8731

Fax: +1.847.662.4150

custserv@dynapar.com

Technical Support

Tel.: +1.800.234.8731

Fax: +1.847.662.4150

dynapar.techsupport@dynapar.com

European Sales Representative

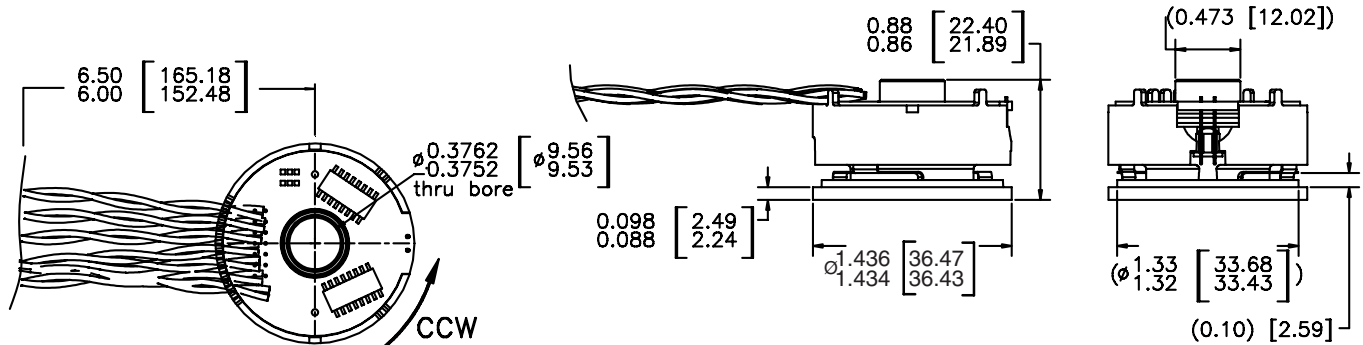
Hengstler GmbH

Umlandstrasse 49, 78554 Aldingen

Germany

www.hengstler.de

Dimensions

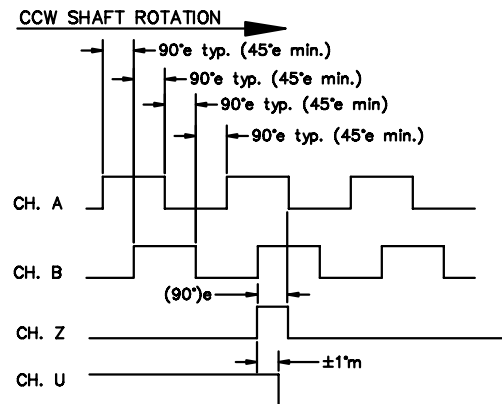


Connections

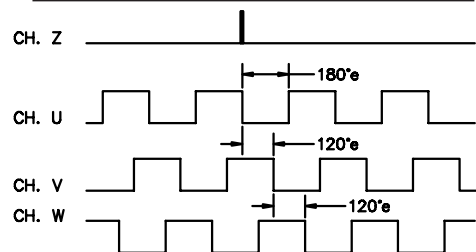
Function*	Cable Wire Color
VCC	RED
GND	BLACK
Ȧ	BLUE/BLACK
A	BLUE
Ḃ	GREEN/BLACK
B	GREEN
Ż	VIOLET/BLACK
Z	VIOLET
U̇	BROWN/BLACK
U	BROWN
V̇	GRAY/BLACK
V	GRAY
Ẇ	WHITE/BLACK
W	WHITE

* Function availability dependant on Model

Waveforms



Waveforms below show relationship between CH. Z, U, V & W (scale differs from above)



Ordering Information

To order, complete the model number with code numbers from the table below:

Code 1: Model	Code 2: PPR, Poles	Code 3: Mount	Code 4: Electrical	Code 5: Bore	Code 6: Termination
F15	<input type="checkbox"/> <input type="checkbox"/> <input type="checkbox"/> <input type="checkbox"/> / <input type="checkbox"/>	<input type="checkbox"/> <input type="checkbox"/> <input type="checkbox"/> <input type="checkbox"/>	<input type="checkbox"/> <input type="checkbox"/> <input type="checkbox"/> <input type="checkbox"/>	<input type="checkbox"/> <input type="checkbox"/> <input type="checkbox"/> <input type="checkbox"/>	<input type="checkbox"/> <input type="checkbox"/> <input type="checkbox"/> <input type="checkbox"/>
Ordering Information					
F15 Size 15 Commutating Encoder	Incremental channels only 1024/0 2048/0	0 Servo mount 1.435 Diameter x .095 thick	Available when Code 2 is XXXX/0 3 5V in, line driver out incremental only	1 3/8 in. thru bore	0 6.5" ±0.5" Twisted Pair Flying Leads
	Incremental plus Commutation channels 1024/6 2048/6 Consult factory for other configurations 1024/8 2048/8		Available when Code 2 is XXXX/6 or 8 6 5V in, line driver out for incremental; 5V in, open collector out for commutation 9 5V in, line driver out for incremental; 5V in, line driver out for commutation		