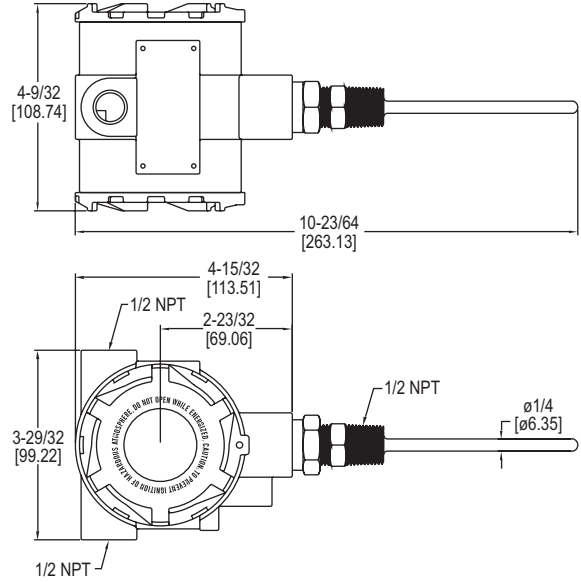


EXPLOSION-PROOF RTD TEMPERATURE TRANSMITTER

User Selectable Ranges, Optional LCD Display



*Shown with optional LCD display



The **SERIES TTE** Explosion-Proof RTD Temperature Transmitter is the ideal product for hazardous temperature measurement applications. The TTE series has seven pre-programmed temperature ranges that are selectable via an internal dip switch.

FEATURES/BENEFITS

- FM approved for Class I, Groups B, C, D; Class II, Groups E, F, G classified explosive environments
- Optional LCD
- Output span selected from seven common ranges or user determined

APPLICATIONS

- Explosive process environments
- Offshore HVAC monitoring

MODEL CHART

Model	Stem Length	LCD Display
TTE-104-W	4"	No
TTE-106-W	6"	No
TTE-109-W	9"	No
TTE-112-W	12"	No
TTE-115-W	15"	No
TTE-118-W	18"	No
TTE-104-W-LCD	4"	Yes
TTE-106-W-LCD	6"	Yes
TTE-109-W-LCD	9"	Yes
TTE-112-W-LCD	12"	Yes
TTE-115-W-LCD	15"	Yes
TTE-118-W-LCD	18"	Yes

ACCESSORY

Model	Description
A-287	Mounting bracket for pipe or surface mounting (Includes bracket and two 2" U-bolts)

FIELD-SELECTABLE RANGES

- 40 to 90°F (4.4 to 32.2°C)
- 20 to 140°F (-28.9 to 60°C)
- 0 to 100°F (-17.8 to 37.8°C)
- 30 to 240°F (-1.1 to 115.6°C)
- 32 to 212°F (0 to 100°C)
- 32 to 122°F (0 to 50°C)
- 30 to 65°C (-1.1 to 18.3°C)
- Custom range between -30 to 250°F (-34.4 to 121.1°C)

SPECIFICATIONS

Temperature Sensor: Pt1000, 0.00385 DIN.
Output Temperature Ranges: User selectable – any range between -30 to 250°F with a minimum span of 40°F.
Temperature Limits: Ambient: -4 to 158°F (-20 to 70°C); Process: -30 to 250°F (-34.4 to 120°C).
Accuracy: Transmitter ±0.1% FS; Probe ±0.3% FS.
Thermal Drift Effects: ±0.02%/°C max.
Response Time: 250 ms.
Wetted Materials: 316 stainless steel.
Process Connection: 1/2" male NPT or 1/2 male BSPT.
Conduit Connection: 1/2" female NPT or M20.
Probe Length: 2" to 18" (depending on model).
Pressure Limits: 2000 PSI.
Power Requirements: 10 to 35 VDC.
Output Signal: 4-20 mA (two wire loop powered).
Optional Display: 2 lines X 8 character LCD.
Enclosure Rating: Weatherproof and Explosion-proof. Listed with FM for Class I, Division 1, Groups B, C and D, and dust-ignitionproof for Class II, Division 1, Groups E, F and G and Class III atmospheres.
ATEX Certified: CE 0518 Ex II 2 G Ex db IIC, CE Ex II 1 D Ex ta IIIC T111°C Da, T6 Process Temp ≤80°C, Temperature Class T5 Process Temp ≤95°C, Temperature Class T4 Process Temp ≤120°C as defined on nameplate. EU-type Certificate No.: EMT17ATEX0021 X. (Pending)
 ATEX Standards: EN 60079-0:2012+A11:2013; EN 60079-1:2015; EN 60079-31:2014. (Pending)
IECEx Certified: For Ex db IIC T6 Gb, Ex ta IIIC T111°C Da, Process Temp ≤80°C, Temperature Class T5 Process Temp ≤95°C, Temperature Class T4 Process Temp ≤120°C as defined on nameplate. (Pending)
IECEx Certificate of Conformity: Element IECEx EMT 17.0007X; IECEx Standards: IEC 60079-0:2011 (Edition 6); IEC 60079-2014 (Edition 7); IEC 60079-31:2013 (Edition 2). (Pending)
Weight: 2 lb 8 oz (1134 g).
Agency Approvals: CE, ATEX/IECEx pending, FM.

THERMOWELLS - MACHINED

Model	Material	Length	Connection (Internal/External) (NPT)
TE-TNS-N044N-12	304 SS	4"	1/2" / 3/4"
TE-TNS-N064N-12	304 SS	6"	1/2" / 3/4"
TE-TNS-N094N-12	304 SS	9"	1/2" / 3/4"
TE-TNS-N124N-12	304 SS	12"	1/2" / 3/4"



Machined Thermowell

Temperature Transmitters