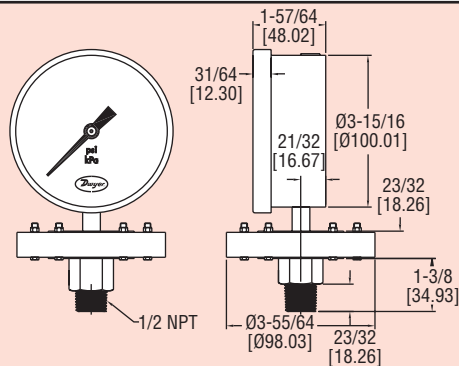




Series  
SGO

# 4" Stainless Steel Schaeffer Gage

1.6% Full Scale Accuracy, 316L SS & PTFE Wetted Parts



The Series SGO Gages have dual English/metric scales with  $\pm 1.6\%$  full-scale accuracy. The Series SGO gages are designed with 304 SS housing, a 316L SS chamber and PTFE coated diaphragm for excellent chemical compatibility. Units can withstand ambient temperatures up to 149°F (65°C) and process temperatures up to 248°F (120°C). Ranges are available from full vacuum, compound to 300 psi. Included is a micrometer adjustable pointer which allows for re-zeroing the gage in the field.

## SPECIFICATIONS

**Service:** Compatible gases & liquids.

**Wetted Materials:** 316L SS chamber with PTFE protected steel diaphragm.

**Housing:** 304 SS.

**Lens:** Glass.

**Accuracy:**  $\pm 1.6\%$  full-scale.

**Pressure Limit:** 130% full-scale.

**Temperature Limits:**

Ambient: -13 to 149°F (-25 to 65°C);

Process: 248°F (120°C).

**Size:** 4" (100 mm).

**Process Connections:** 1/2" male NPT.

**Enclosure Rating:** NEMA 3 (IP54).

**Weight:** 3.0 lb (1.34 kg).

## OPTION

For NIST traceable calibration certificate, use order code NISTCAL-PG1.

Model	Range
SGO-F0124N	30" Hg-0 (-100-0 kPa)
SGO-F0224N	0-15 psi (0-100 kPa)
SGO-F0324N	0-30 psi (0-200 kPa)
SGO-F0424N	0-60 psi (0-400 kPa)
SGO-F0524N	0-100 psi (0-700 kPa)
SGO-F0624N	0-150 psi (0-1000 kPa)
SGO-F0724N	0-200 psi (0-1400 kPa)