



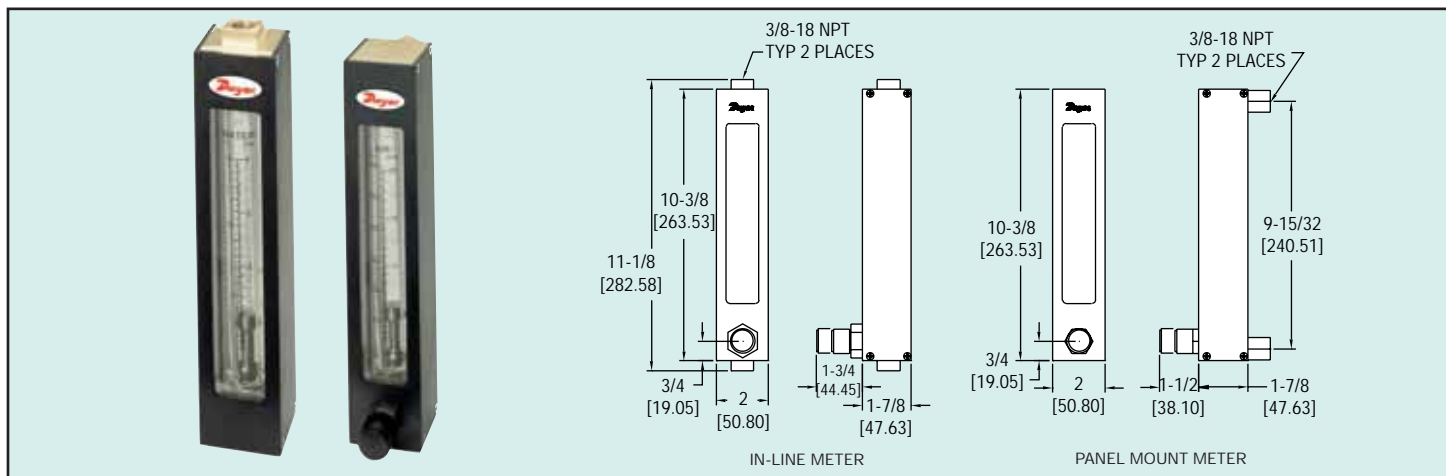
Series
RSF

Rotatable Scale Flowmeters

Dual, Rotatable Direct Reading Scales for Air and Water



Flow



Series RSF Flowmeters are designed with unique rotatable scales of dual, air-water direct reading graduations. Flow rate is indicated in SCFM and SLPM for air and GPM and LPM for water. Graduations are marked on a rotating, polycarbonate tubeshield which also serves to protect the borosilicate glass flowtube. Flowmeters include a reflective plastic background and 1.5 X magnification lens to reduce eye fatigue and allow for more accurate readings. A blow-out back panel provides additional protection in the event of breakage. Series RSF Flowmeters are available in vertical in-line mounting or panel mounting. Units are shipped completely assembled and include standard mounting hardware for quick installation.

MODELS

Brass & SS Vertical In-Line Meters					
Without Valve		With Valve		Max. Flow Rate	
Brass	SS	Brass	SS	Air scfm (SLPM)	Water GPM (LPM)
RSF011	RSF111	RSF011V	RSF111V	5(140)	1.2(4)
RSF012	RSF112	RSF012V	RSF112V	10(280)	2(8)
RSF013	RSF113	RSF013V	RSF113V	15(425)	3(11.5)
RSF014	RSF114	RSF014V	RSF114V	20(575)	4(15)
RSF015	RSF115	RSF015V	RSF115V	30(900)	5(20)

Brass & SS Panel Mount Meters					
Without Valve		With Valve		Max. Flow Rate	
Brass	SS	Brass	SS	Air scfm (SLPM)	Water GPM (LPM)
RSF021	RSF121	RSF021V	RSF121V	5(140)	1.2(4)
RSF022	RSF122	RSF022V	RSF122V	10(280)	2(8)
RSF023	RSF123	RSF023V	RSF123V	15(425)	3(11.5)
RSF024	RSF124	RSF024V	RSF124V	20(575)	4(15)
RSF025	RSF125	RSF025V	RSF125V	30(900)	5(20)

PTFE Vertical In-Line Meters					
Without Valve		With Valve		Max. Flow Rate	
				Air scfm (SLPM)	Water GPM (LPM)
	RSF211		RSF211V	3.5(100)	0.8(3)
	RSF212		RSF212V	7(200)	1.5(5.75)
	RSF213		RSF213V	10.5(300)	2.2(8.25)
	RSF214		RSF214V	14(400)	2.9(11)
	RSF215		RSF215V	17.5(500)	3.5(13.25)

PTFE Panel Mount Meters					
Without Valve		With Valve		Max. Flow Rate	
				Air scfm (SLPM)	Water GPM (LPM)
	RSF221		RSF221V	3.5(100)	0.8(3)
	RSF222		RSF222V	7(200)	1.5(5.75)
	RSF223		RSF223V	10.5(300)	2.2(8.25)
	RSF224		RSF224V	14(400)	2.9(11)
	RSF225		RSF225V	17.5(500)	3.5(13.25)

SPECIFICATIONS

Service: Compatible gases or liquids.

Wetted Materials:

Flowtube: Borosilicate glass.

Float: Brass/SS models: 316 SS; PTFE models: PTFE.

Tube Shield: Polycarbonate

Float Stops: Brass/SS models: 316 SS; PTFE models: PTFE.

End Fittings: Brass/SS models: Brass or 316 SS; PTFE models: PTFE.

O-rings: Brass/SS models: Fluoroelastomer; PTFE models: PTFE.

Temperature Limit: 250°F (121°C). PTFE models: 150°F (65°C).

Pressure Limit: 150 psig (10.34 bar) @ 200°F (93°C). PTFE models: 100 psig (6.7 bar)

Accuracy: ±7% FS.

Repeatability: ±0.25% FS.

Scale: Direct Reading 127 mm scales for air and water.

Turn-Down Ratio: 10:1.

Connections: Two 3/8" female NPT.

Mounting: Vertical or panel mount.

Panel Cutout: Drill two 7/8" diameter holes 9.0" (229 mm) apart (for panel mount meters only).

Valve: 6-turn needle (standard on models indicating "with valve").

Agency Approvals: CE.

APPLICATIONS

Flowmeters are suitable for metering air or water for film processing, paper manufacturing, chemical processing, semiconductor industry, water and air pollution analysis equipment, metals processing, industrial fuel and energy conservation, air metering, and general laboratory and industrial applications.