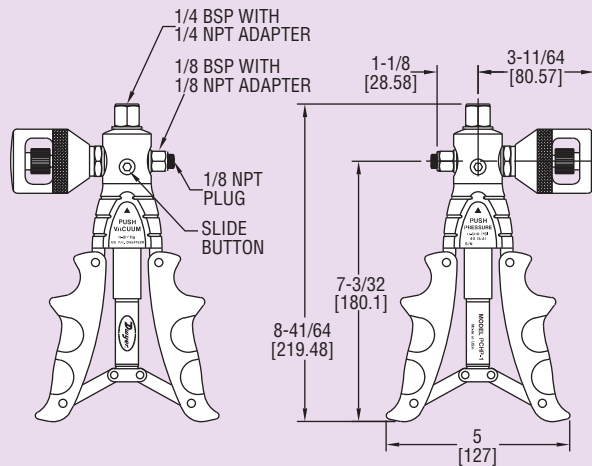




Series
PCHP

Pneumatic Calibration Hand Pump

Generates up to 600 psi (40 bar), Comfort Grip Handles



The Series PCHP Pneumatic Hand Pump comfortably sources pressure and vacuum to check calibration of gages, switches, transmitters, and recorders. The contoured cushion handles provide extra comfort while preventing the pump from sliding. The oversized check valve provides smooth operation throughout the output range. The dual O-rings on all pistons ensure zero leakage.

Model PCHP-1, Pneumatic Calibration Hand Pump

Model PCHP-1K, Pneumatic Calibration Hand Pump with Hose Kit

ACCESSORY

PCHP-HK, High Pressure Hose

SPECIFICATIONS

Output Ranges: -28 in Hg to 600 psi (-0.945 to 40 bar).

Process Connection: 1/4" NPT/BSP.

Gage Connection: 1/8" NPT/BSP.

Materials: SS fittings, anodized aluminum housing, plastic/rubber handles, and nitrile O-rings.

Weight: 2 lb (0.91 kg).