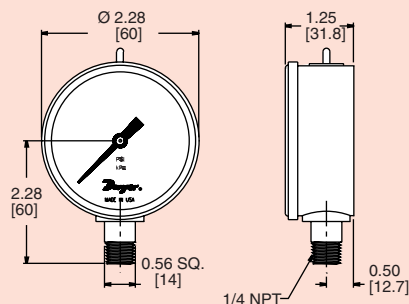




Series  
64000

# 2.5" Stainless Steel Pressure Gage

316 SS Wetted Parts, Glycerin Filled



Pressure spikes, vibration, and pulsation are overcome with the Series 64000 Liquid Filled Stainless Steel Pressure Gage. The unit's glycerin fill provides superior performance for many mechanical applications. All internal parts are constructed of 316 SS for greater chemical compatibility. The 2.5" (63 mm) diameter gage features  $\pm 1.6\%$  accuracy and is housed in a 304 SS case.

## MODELS

Model Number	Ranges
64030V	0 to 30" Hg Vac (0 to -100 kPa)
64015	0 to 15 psi (0 to 100 kPa)
64030	0 to 30 psi (0 to 200 kPa)
64060	0 to 60 psi (0 to 400 kPa)
64100	0 to 100 psi (0 to 700 kPa)
64160	0 to 160 psi (0 to 1100 kPa)
64200	0 to 200 psi (0 to 1400 kPa)
64300	0 to 300 psi (0 to 2000 kPa)

## SPECIFICATIONS

**Service:** Compatible liquids or gases.

**Wetted Materials:** 316 SS.

**Fill Solution:** Glycerin.

**Housing:** 304 SS.

**Accuracy:**  $\pm 1.6\%$  full scale.

**Pressure Limit:** 130% x full scale.

**Temperature Limit:**

Ambient: -13 to 150°F (-25 to 65°C);

Process: 60 to 150°F (15 to 65°C).

**Size:** 2-1/2" (63 mm) diameter.

**Process Connection:** 1/4" male NPT.

**Enclosure Rating:** NEMA 3 (IP55).

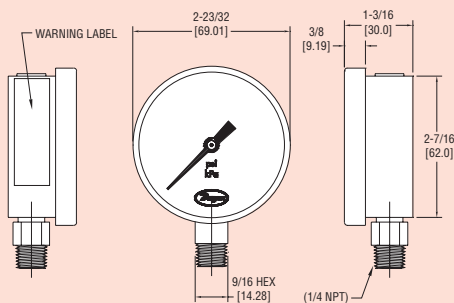
**Weight:** 9 oz (255 g).



Series  
63000M

# 2.5" Stainless Steel Pressure Gage

Brass Wetted Parts, Glycerin Filled



The Series 63000M Liquid Filled Pressure Gages provide superior performance in applications where vibration, pulsation, mechanical shock and pressure spikes are common. The Series 63000M gages have dual English/metric scales with  $\pm 1.6\%$  full scale accuracy and are available in 2.5" dial sizes. Units are designed with 304 SS housings and brass wetted parts. These gages can withstand ambient temperatures up to 140°F (60°C) and process temperatures up to 149°F (65°C).

## MODELS

Model Number	Ranges
63030VM	0 to 30 in. Hg Vac (0 to -100 kPa)
63015M	0 to 15 psi (0 to 100 kPa)
63030M	0 to 30 psi (0 to 200 kPa)
63060M	0 to 60 psi (0 to 400 kPa)
63100M	0 to 100 psi (0 to 700 kPa)
63200M	0 to 200 psi (0 to 1400 kPa)
63300M	0 to 300 psi (0 to 2000 kPa)

## SPECIFICATIONS

**Service:** Compatible gases and liquids.

**Wetted Materials:** Brass.

**Housing:** 304 SS.

**Fill Solution:** Glycerin.

**Accuracy:**  $\pm 1.6\%$  full scale.

**Pressure Limits:** 130% of full scale.

**Temperature Limits:**

Ambient: -4 to 140°F (-20 to 60°C);

Process: 149°F max. (65°C max.).

**Size:** 2-1/2" (63 mm).

**Process Connection:** 1/4" male NPT.

**Enclosure Rating:** NEMA 3 (IP55).

**Weight:** 8.6 oz (245 g).