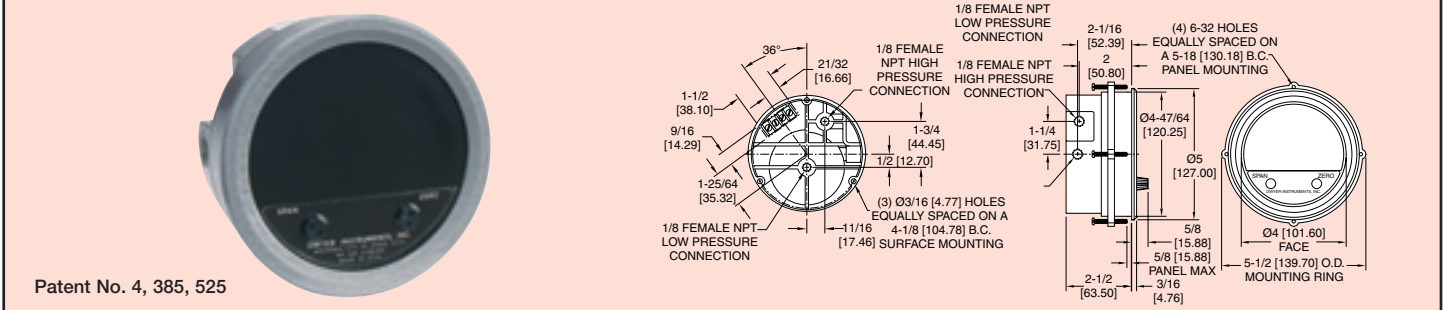




Series 603A

Differential Pressure Transmitters

Ranges from 0.2" Water Column to 30 psid



Patent No. 4, 385, 525

Dwyer Series 603A Differential Pressure Transmitters combine ultra low ranges, low cost, high accuracy and rugged construction – ideal for a wide range of HVAC and industrial applications. These transmitters provide a standard 4-20 mA analog output signal in ranges as low as 0.2" w.c. The transmitter can be surface mounted or flush mounted in a 4-13/16" (122 mm) diameter panel hole. Hardware is included for either option. Duplicate 1/8" female NPT pressure connections on side and back ease installation.

ACCESSORIES

A-298 Flat Aluminum Bracket, for flush mounting 603A.
A-370 Mounting Bracket, flush mount Series 600 Transmitter in bracket. Bracket is then surface mounted. Steel with gray hammertone epoxy finish.

STOCKED MODELS in bold

Model Number	Ranges in Inches W.C.			Maximum Pressure	Electrical Accuracy +/- %
	As Stocked	Minimum	Maximum		
603A-1	0-0.25 (6.34 mm)	0.20 (5.08 mm)	0.40 (10.15 mm)	25 psi (1.7 bar)	2
603A-2	0-0.50 (12.7 mm)	0.40 (10.1 mm)	0-2.0 (50.8 mm)	25 psi (1.7 bar)	2
603A-3	0-2.0 (50.8 mm)	0-1.5 (38.1 mm)	0-5.0 (127 mm)	10 in. w.c. (2.5 kPa)	0.5
603A-4	0-5.0 (127 mm)	0-4.0 (101.6 mm)	0-15 (381 mm)	5 psi (34.5 kPa)	0.5
603A-5	0-25 (634 mm)	0-10 (254 mm)	0-60 (1522 mm)	20 psi (1.4 bar)	0.5
603A-6	0-100 (2540 mm)	0-50 (1264 mm)	0-250 (6445 mm)	20 psi (1.4 bar)	0.5
603A-11	.25-0-.25 (12.7 mm)			25 psi (1.7 bar)	2
603A-12	1-0-1 (50.8 mm)			10 in w.c. (2.5 kPa)	0.5
603A-13	5-0-5 (254 mm)			5 psi (34.5 bar)	0.5
603A-14	10-0-10 (508 mm)			20 psi (1.4 bar)	0.5

NOTE: Optional 3 1/2 digit LCD readout for Series 603A

SPECIFICATIONS

Service: Air and non-combustible, compatible gases.
Wetted Materials: Consult factory.
Accuracy: (See Chart) (Includes linearity, hysteresis and repeatability).
Stability: ±1% F.S./yr.
Temperature Limits: 0 to 140°F (-17.8 to 60°C).
Compensated Temperature Limits: 20 to 120°F (-6.67 to 48.9°C).
Pressure Limits: See chart below.
Thermal Effect: ±0.025% F.S./°F (0.045% F.S./°C).
Power Requirements: 10-35 VDC (2-wire).

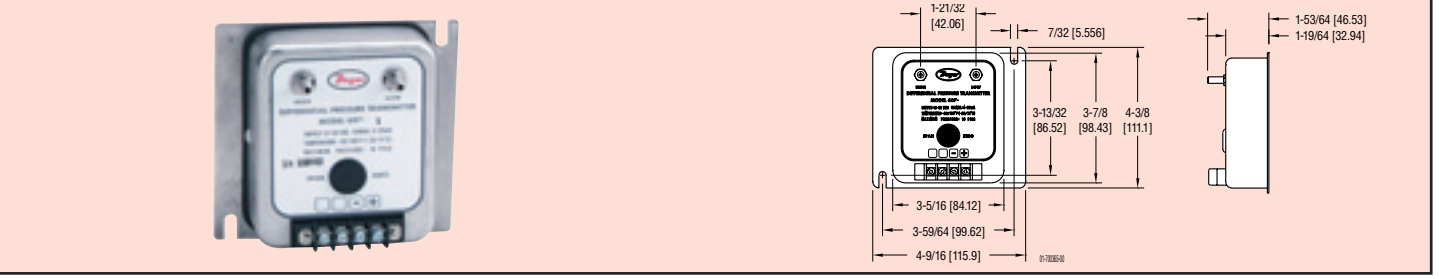
Output Signal: 4-20 mA.
Zero and Span Adjustments: External potentiometers.
Loop Resistance: DC; 0-1250 ohms.
Current Consumption: DC; 38 mA max.
Electrical Connections: 4 screw terminal block.
Process Connections: 1/8" female NPT.
Mounting Orientation: Diaphragm in vertical position. Consult factory for other position orientations.
Weight: 1 lb, 10 oz (737 g).
Agency Approvals: CE.



Series 607

Differential Pressure Transmitter

±0.25% or ± 0.5% F.S. Accuracy, Ranges from 0-0.1" w.c.



Series 607 Differential Pressure Transmitter combines very low ranges with exceptional stability, reliability and either ±0.25% or ±0.5% accuracy for the most demanding applications. Ranges from 0-0.1 to 0-25" w.c. Ultra thin glass clad silicon diaphragm design resists shock and vibration, practically eliminates drift. Certification to NIST standards is included with each unit. Tough stainless steel housing is NEMA-2 rated to protect against moisture and dirt. Use with air and other compatible gases.

STOCKED MODELS in bold

Model No.	Range (in w.c.)	Model No.	Range (in w.c.)
607-0	0-.10	607-71*	0-5.0
607-01*	0-.10	607-8	0-10
607-1	0-.25	607-0B	.10-0-.10
607-11*	0-.25	607-1B	.25-0-.25
607-2	0-.50	607-2B	.50-0-.50
607-21*	0-.50	607-9	0-25
607-3	0-1.0	607-3B	1.0-0-1.0
607-4	0-2.0	607-4B	2.0-0-2.0
607-7	0-5.0	607-7B	5.0-0-5.0

* Models have a ±0.25% F.S. accuracy.

SPECIFICATIONS

Service: Air and nonconductive, noncorrosive gases.
Wetted Materials: Contact factory.
Accuracy: ±0.5% or ±0.25% F.S.
Stability: ±0.5% F.S./yr.
Temperature Limits: -20 to 160°F (-29 to 71°C), 10 to 95% RH.
Pressure Limits: 10 psig (0.69 bar).
Compensated Temp. Range: 35 to 135°F (2 to 57°C).
Thermal Effects: ±0.015% FS/°F (zero and span).
Power Requirements: 12-36 VDC.
Output Signal: 4 to 20 mA DC, 2-wire.

Zero & Span Adjustments: Externally accessible potentiometers, non-interactive, ±10% F.S. adjustment.
Response Time: 250 msec max.
Loop Resistance: 0 to 1045 ohms $V_{min} = 12V + [(0.22A)(R_L)]$.
Current Consumption: 3.6 mA (min).
Electrical Connection: Screw terminals.
Process Connection: Barbed stainless steel for 3/16" I.D. tubing.
Housing: 300 Series stainless steel (NEMA 2).
Weight: 1.04 lb (472 g).
Agency Approvals: CE.