



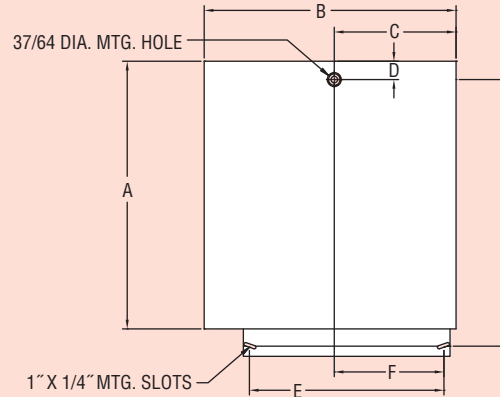
Series  
424

# Durablock<sup>®</sup> Inclined-Vertical Manometers

Accuracy To  $\pm 0.25\%$



424-10 Inclined-Vertical Manometer.



Ranges And Dimensions – Suitable for Total Pressure up to 100 psig, Temperatures up to 150°F

	Model	Inclined Range Inches of Water	Inclined Minor Div.	Length of Inclined Scale	Vertical Range Inches of Water	Vertical Minor Div.	Length of Vertical Scale	Dimensions							Weight lb-oz
								A	B	C	D	E	F	G	
Single Column	424-10	0-2.0	.01	20"	2.1-10	.10	9"	16-1/2"	25-1/4"	12-5/8"	1"	10-1/2"	5-3/8"	16"	22-12
	421-5	0-1.0	.01	6-1/2"	1.1-5	.10	4-5/8"	9-7/8"	9-5/8"	4-7/8"	5/8"	6-1/2"	3-1/4"	9-7/8"	4-12
	421-10	0-1.0	.01	6-1/2"	1.1-10	.10	10-1/8"	15-1/2"	9-5/8"	4-7/8"	5/8"	6-1/2"	3-1/4"	15-1/2"	6-10
Double Column	422-5	0-1.0	.01	6-1/2"	1.1-5	.10	4-5/8"	10-1/2"	11-1/2"	5-1/8"	5/8"	6-1/2"	3-1/4"	10-1/2"	6-10
	422-10	0-1.0	.01	6-1/2"	1.1-10	.10	10-1/8"	16-1/8"	11-1/2"	5-1/8"	5/8"	6-1/2"	3-1/4"	16-1/8"	10-13

\*Single column metric-ranges and divisions in millimeters.

Dwyer<sup>®</sup> Model 424 inclined-vertical manometers are extremely accurate instruments designed and made especially for precision measurement of low differential pressures in laboratory and test applications. The inclined range bore has a length of 20" to provide ample multiplication of indicating fluid movement in this critical lower part of the range.

## Series 420 Inclined-Vertical Manometers Accurate To $\pm 1\%$



Typical of Series 420 Inclined-Vertical Manometers is Model 422-10 double column manometer with a total range of 0 to 10" of water. Single column models are also furnished. Design features are essentially the same as for the Series 424. They are accurate to  $\pm 1\%$  and are particularly suited for use with pitot tubes and in flow measurement or similar applications.

## STANDARD ACCESSORIES

Include two 1 oz bottles of .826 red gage fluid (1.91 blue gage oil for models 421-23 and 422-23), rapid shut-off type "a" connections, two 3 ft lengths of clear plastic tubing and two 1/8" NPT tubing adapters — two sets for double column models.