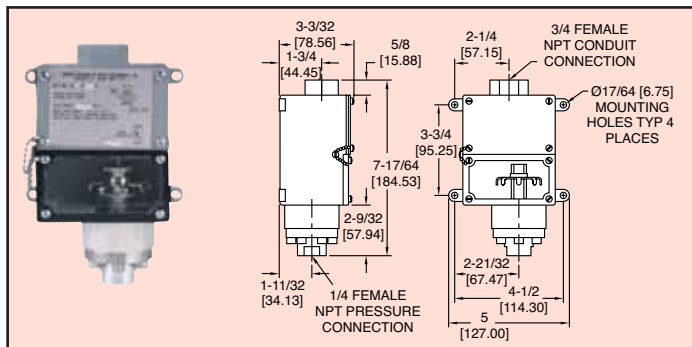


Series  
1000W

# Weatherproof Diaphragm Operated Pressure Switches

Visible Setpoint, Fixed Deadband, Pressure Ranges to 1400 psi



**Extremely rugged** construction provides excellent reliability in chemical, petroleum and industrial plants. Bellville spring movement permits mounting of control in any position and helps prevent contact chatter. New design also provides high over-pressure protection. Weatherproof housing is standard.

## SPECIFICATIONS

**Wetted Materials:** See pressure chamber and diaphragm material in model chart.

**Temperature Limits:** -30 to 170°F (-35 to 77°C).

**Pressure Limit:** 3000 psig (206.8 bar).

**Enclosure Rating:** Weatherproof, NEMA 4X.

**Switch Type:** SPDT snap switch. DPDT optional.

**Electrical Rating:** 15A @ 125/250 VAC resistive.

**Electrical Connections:** Screw type.

**Conduit Connection:** 3/4" female NPT.

**Process Connection:** 1/4" female NPT.

**Mounting Orientation:** Any position.

**Set Point Adjustment:** Internal thumbwheel.

**Weight:** 3 lb (1.4 kg).

**Deadband:** See model chart.

**Agency Approvals:** CE, UL.

## MODELS

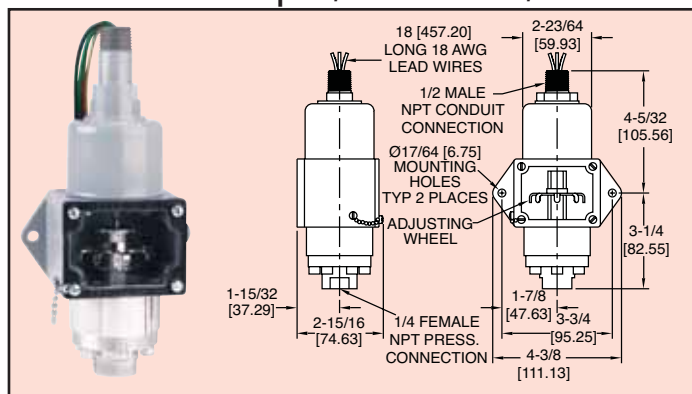
Aluminum Press. Chamber Polyimide Diaph. Model Number	316 SS Pressure Chamber FEP Diaphragm Model Number	Adjustable Operating Range psig (bar)	Approx. * Deadband (Fixed) psig (bar)
1003W-A1-D	1003W-B3-D	5-40 (.48-2.8)	2 (.14)
1004W-A1-D	1004W-B3-D	10-70 (.69-4.8)	4 (.28)
1005W-A1-D	1005W-B3-D	25-200 (1.7-13.8)	8 (.55)
1006W-A1-D	1006W-B3-D	50-350 (3.5-24.1)	15 (1.0)
1007W-A1-D	1007W-B3-D	75-550 (5.2-37.9)	30 (2.1)
1008W-A1-D	1008W-B3-D	100-900 (6.9-62.1)	50 (3.5)
1009W-A1-D	1009W-B3-D	200-1400 (13.8-96.5)	75 (5.2)

\*Deadband 10-15% larger when using 316SS diaphragm. Change A1 to B2 for 316 SS diaphragm and pressure chamber e.g. 1003W-B2-D. Values shown are for mid-scale.

Series  
1000E

# Explosion-Proof Diaphragm Operated Pressure Switches

Visible Setpoint, Fixed Deadband, Pressure Ranges to 1400 psi



**Same rugged construction** as used in Series 1000W plus explosion-proof design are combined in this new unit. UL listed for Class I, Groups A, B, C & D; Class II, Groups E, F & G. Bellville spring movement permits mounting of control in any position and helps prevent contact chatter. High over-pressure protection and vibration resistance are also featured.

## SPECIFICATIONS

**Wetted Materials:** See pressure chamber and diaphragm material in model chart.

**Temperature Limits:** -30 to 170°F (-35 to 77°C).

**Pressure Limit:** 3000 psig (206.8 bar).

**Enclosure Rating:** Explosion-proof, UL listed for Class I, Groups A, B, C and D; Class II, Groups E, F, and G.

**Switch Type:** SPDT snap switch. DPDT or hermetically sealed optional.

**Electrical Rating:** 15A @ 125/250/480 VAC res., 0.5A @ 125 VDC, 0.25A @ 250 VDC.

**Electrical Connections:** 18 AWG, 18" (460 mm) long.

**Conduit Connection:** 1/2" male NPT.

**Process Connection:** 1/4" female NPT.

**Mounting Orientation:** Any position.

**Set Point Adjustment:** Internal thumbwheel.

**Weight:** 3 lb (1.4 kg).

**Deadband:** See model chart.

**Agency Approvals:** CE, UL.

## MODELS

Aluminum Press. Chamber Polyimide Diaph. Model Number	316 SS Pressure Chamber FEP Diaphragm Model Number	Adjustable Operating Range psig (bar)	Approx. * Deadband (Fixed) psig (bar)
1003E-A1-J	1003E-B3-J	5-40 (.48-2.8)	2.5 (.17)
1004E-A1-J	1004E-B3-J	10-70 (.69-4.8)	5 (.34)
1005E-A1-J	1005E-B3-J	25-200 (1.7-13.8)	10 (.69)
1006E-A1-J	1006E-B3-J	50-350 (3.5-24.1)	18 (1.2)
1007E-A1-J	1007E-B3-J	75-550 (5.2-37.9)	36 (2.5)
1008E-A1-J	1008E-B3-J	100-900 (6.9-62.1)	60 (4.1)
1009E-A1-J	1009E-B3-J	200-1400 (13.8-96.5)	90 (6.2)

\*Deadband 10-15% larger when using 316SS diaphragm. Change A1 to B2 for 316 SS diaphragm and pressure chamber e.g. 1003E-B2-J. Values shown are for mid-scale.