

# Type 350/360/370SS Series

## Stainless Steel Regulators and Filters

*Type 350SS Stainless Steel Filter Regulator*

*Type 360SS Stainless Steel Regulator*

*Type 370SS Stainless Steel Filter*

The Type 350/360/370SS series of stainless steel regulators, filter regulators and filters are designed to stand up to the harshest environments while providing highly accurate pressure regulation. Proven 316L stainless steel housing and 316 stainless steel filter assemblies along with fluorocarbon elastomers make the 350/360/370SS compatible with sour gas and adaptable to off shore environments. These quality instruments are economical to buy as well as operate, and provide extremely stable and repeatable control of gas pressure. Oversized valving helps the units achieve high flow rates with minimal pressure drop.

### Features

- **All 316 Stainless Steel Construction**  
Ideal for sour gas and/or corrosive environments
- **NACE Compliant**  
Meets NACE #MR-0175 material requirement for sulfide stress cracking
- **1/4" NPT and 1/2" NPT Ported Versions**
- **Autodrain Option**
- **Low Temperature Option**
- **High Flow Capacity**
- **Tapped Exhaust Port**  
Permits remote venting of hazardous gases
- **Minimal Air Consumption**  
Low cost of ownership



# Type 350/360/370SS Series

## Clean, stable performance for tough, dirty process control

### S P E C I F I C A T I O N S



TYPE 350SS



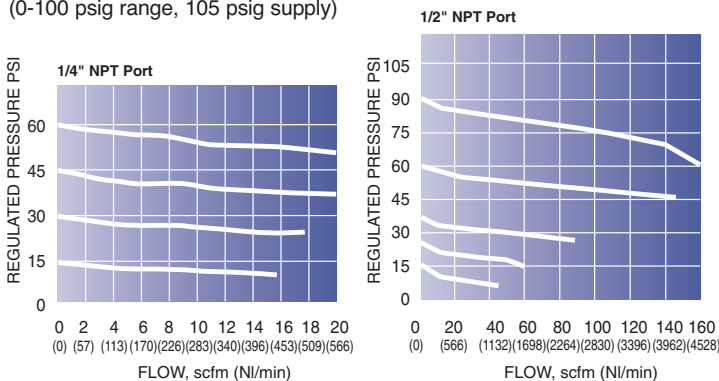
TYPE 360SS



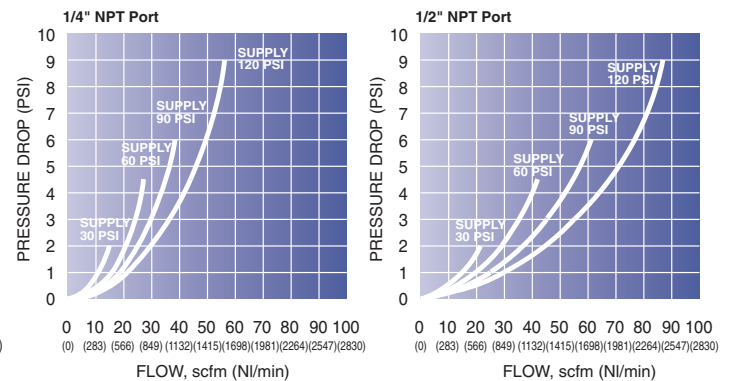
TYPE 370SS

|  |   |  |  |
|--|---|--|--|
| <b>Output Ranges:</b>                  | 0-30 psig (0-2.0 BAR), 0-60 psig (0-4.0 BAR), 0-100psig (0-7.0 BAR), 0-150 psig (0-10.0 BAR)  | Not applicable   |  |
| <b>Exhaust Capacity:</b>               | 1.0 SCFM (30 NI/min) at downstream pressure of 10 psig (0.7 BAR) above set point  | Not applicable   |  |
| <b>Maximum Supply Pressure:</b>        | 290 psig (20.0 BAR)<br>Autodrain: 150 psig (10.0 BAR)   | 290 psig (20.0 BAR)<br>150 psig (10.0 BAR)<br>Autodrain: 150 psig (10.0 BAR) |  |
| <b>Maximum Flow Coefficients (Cv):</b> | 1/4" = 0.5<br>1/2" = 3.0  |  |  |
| <b>Air Consumption:</b>                | 4 SCFH (2 NI/min) maximum   | Not applicable   |  |
| <b>Operating Temperatures:</b>         | -20° to +185° F (-29° C to +85° C)<br>Autodrain Option: (Type 350 and Type 370 only) 32° to 185°F (0° to 85°C)<br>Low Temperature Option: -61° to +194° F (-52° to +90° C)                          |  |  |
| <b>Filter:</b>                         | 25 micron<br>optional 5 micron filter   | 25 micron<br>optional 5 micron filter  |  |
| <b>Porting:</b>                        | Inlet/Outlet: 1/4" NPT or 1/2" NPT<br>Gauge (2): 1/4" NPT<br>Exhaust: 1/8" NPT  | 1/4" NPT or 1/2" NPT<br>1/4" NPT<br>1/8" NPT                                 |  |
| <b>Materials:</b>                      | 316L stainless steel: housings<br>316 stainless steel: filter, range spring, trim<br>Inconel: valve spring<br>Fluorocarbon: diaphragm, seals<br>Silicone: diaphragm, seals (low temperature option) |  |  |
| <b>Weight:</b>                         | 1/4" NPT: 2.2 lbs. (1.0 kg)<br>1/2" NPT: 2.8 lbs. (1.3 kg)<br>Additional for Autodrain: 0.6 lbs. (0.3 kg)   | 1/4" NPT: 2.0 lbs. (0.9 kg)<br>1/2" NPT: 2.6 lbs. (1.2 kg)                   | 1/4" NPT: 2.1 lbs. (0.95 kg)<br>1/2" NPT: 2.5 lbs. (1.14 kg) |
| <b>Operating Media:</b>                | Air, inert gas, sweet (natural) and sour gases  |  |  |

REGULATED PRESSURE VS. FLOW (TYPE 350/360SS, TYPICAL)  
(0-100 psig range, 105 psig supply)



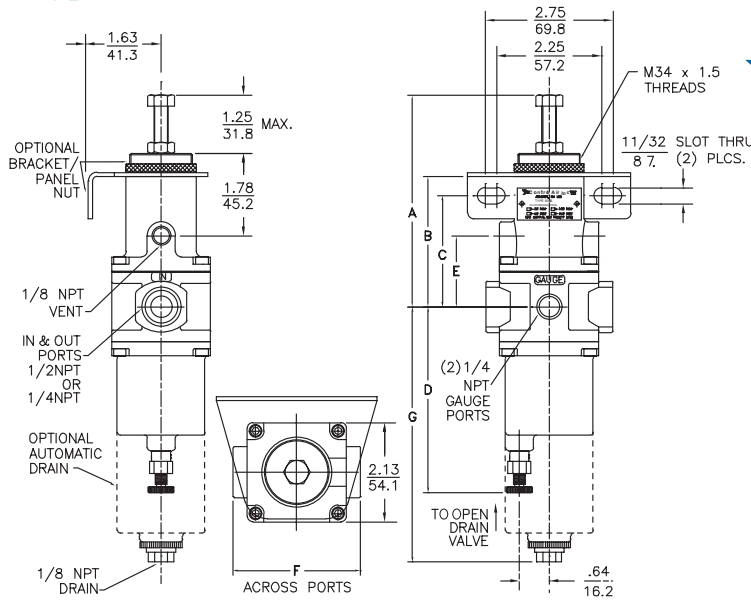
PRESSURE DROP VS. FLOW (TYPE 370SS, TYPICAL)



# Type 350/360/370SS Dimensions Series

| Port Size (NPT) | A    |       | B    |      | C    |      | D    |      | E    |      | F    |      | G    |       | H    |      | J    |      |
|-----------------|------|-------|------|------|------|------|------|------|------|------|------|------|------|-------|------|------|------|------|
|                 | Inch | mm    | Inch | mm   | Inch | mm   | Inch | mm   | Inch | mm   | Inch | mm   | Inch | mm    | Inch | mm   | Inch | mm   |
| 1/4"            | 4.40 | 111.8 | 2.85 | 67.3 | 2.24 | 56.9 | 3.71 | 56.9 | 1.38 | 35.1 | 2.13 | 54.1 | 5.20 | 135.1 | 1.22 | 31.0 | 1.08 | 27.4 |
| 1/2"            | 4.54 | 115.3 | 2.79 | 70.9 | 2.39 | 60.7 | 3.98 | 60.7 | 1.52 | 38.6 | 2.72 | 69.1 | 5.46 | 138.7 | 1.36 | 34.5 | 3.08 | 78.2 |

## Type 350SS



Tapped exhaust for remote venting

1/4" NPT and 1/2" NPT porting

Competitively priced

Low droop at high flow levels

316 stainless steel housing and filter assemblies

High flow manual drain for easy maintenance

Compact size

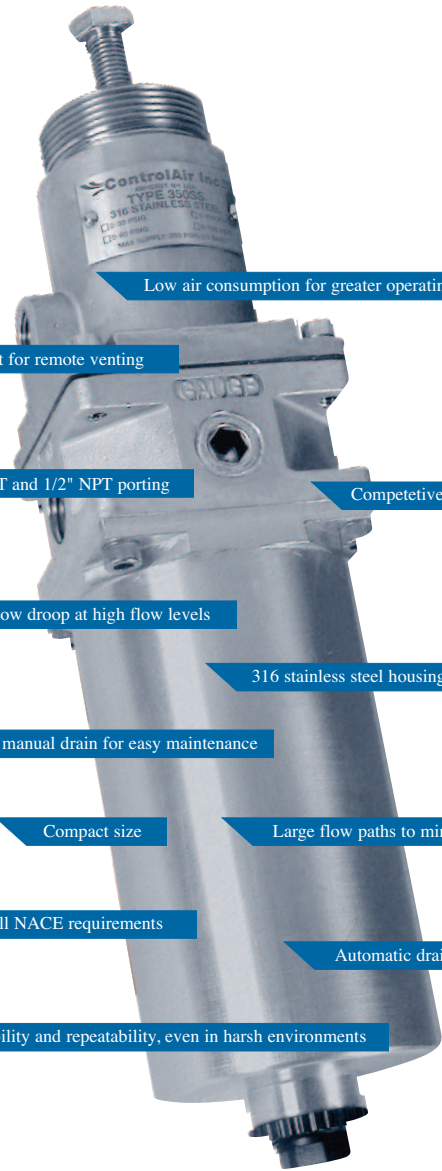
Large flow paths to minimize pressure drop

Meets all NACE requirements

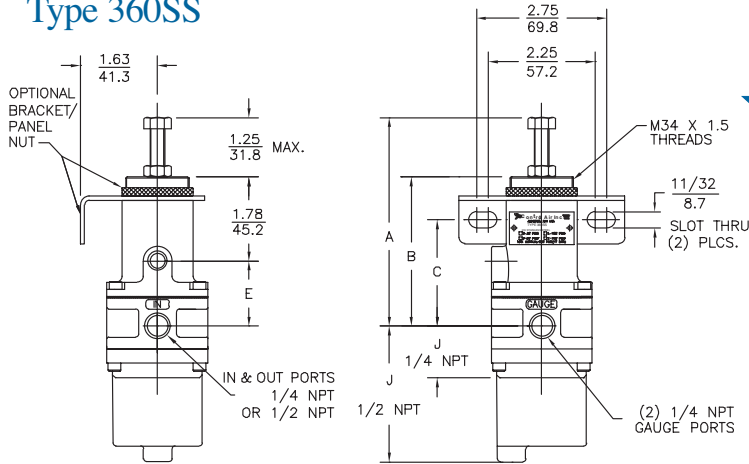
Automatic drain option (shown)

Excellent stability and repeatability, even in harsh environments

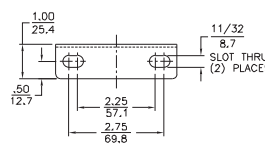
Low air consumption for greater operating economy



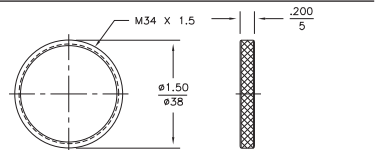
## Type 360SS



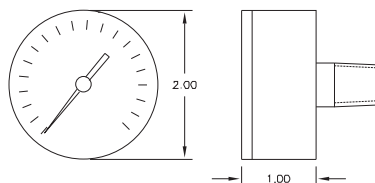
### Mounting Bracket



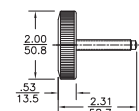
### Panel Nut



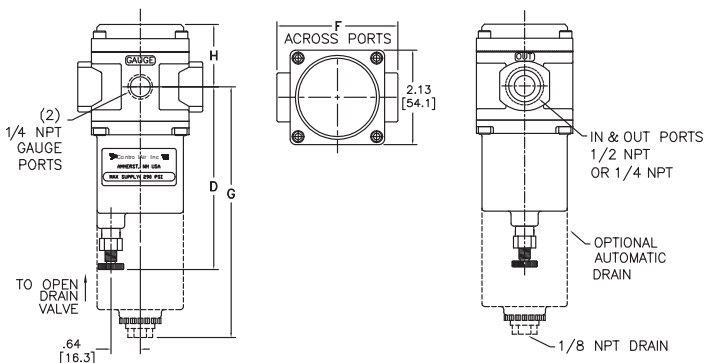
### Pressure Gauge



### Knob



## Type 370SS



Drawing downloads available at [www.controlair.com](http://www.controlair.com)

# Type 350/360/370SS Series

## Ordering Information

### TYPE 350SS FILTER REGULATOR

| Model | Part Number | Port Size (NPT) | Output Range |          |
|-------|-------------|-----------------|--------------|----------|
|       |             |                 | (psi)        | (BAR)    |
| 350SS | 350-BA      | 1/4"            | 0 - 30.0     | 0 - 2.0  |
| 350SS | 350-BB      | 1/4"            | 0 - 60.0     | 0 - 4.0  |
| 350SS | 350-BC      | 1/4"            | 0 - 100.0    | 0 - 7.0  |
| 350SS | 350-BD      | 1/4"            | 0 - 150.0    | 0 - 10.0 |
| 350SS | 350-DA      | 1/2"            | 0 - 30.0     | 0 - 2.0  |
| 350SS | 350-DB      | 1/2"            | 0 - 60.0     | 0 - 4.0  |
| 350SS | 350-DC      | 1/2"            | 0 - 100.0    | 0 - 7.0  |
| 350SS | 350-DD      | 1/2"            | 0 - 150.0    | 0 - 10.0 |

### TYPE 360SS REGULATOR

| Model | Part Number | Port Size (NPT) | Output Range |          |
|-------|-------------|-----------------|--------------|----------|
|       |             |                 | (psi)        | (BAR)    |
| 360SS | 360-BA      | 1/4"            | 0 - 30.0     | 0 - 2.0  |
| 360SS | 360-BB      | 1/4"            | 0 - 60.0     | 0 - 4.0  |
| 360SS | 360-BC      | 1/4"            | 0 - 100.0    | 0 - 7.0  |
| 360SS | 360-BD      | 1/4"            | 0 - 150.0    | 0 - 10.0 |
| 360SS | 360-DA      | 1/2"            | 0 - 30.0     | 0 - 2.0  |
| 360SS | 360-DB      | 1/2"            | 0 - 60.0     | 0 - 4.0  |
| 360SS | 360-DC      | 1/2"            | 0 - 100.0    | 0 - 7.0  |
| 360SS | 360-DD      | 1/2"            | 0 - 150.0    | 0 - 10.0 |

### TYPE 370SS FILTER

| Model | Part Number | Port Size (NPT) |
|-------|-------------|-----------------|
| 370SS | 370-BX      | 1/4"            |
| 370SS | 370-DX      | 1/2"            |

#### Warranty

ControlAir, Inc. products are warranted to be free from defects in materials and workmanship for a period of eighteen months from the date of sale, provided said products are used according to ControlAir, Inc. recommended usages. ControlAir, Inc.'s liability is limited to the repair, purchase price refund, or replacement in kind, at ControlAir, Inc.'s sole option, of any products proved defective. ControlAir, Inc. reserves the right to discontinue manufacture of any products or change products materials, designs or specifications without notice. Note: ControlAir does not assume responsibility for the selection, use, or maintenance of any product. Responsibility for the proper selection, use, and maintenance of any ControlAir product remains solely with the purchaser and end user.

Drawing downloads available at [www.controlair.com](http://www.controlair.com)

#### Options

Add proper letter at end of model number.

- A** - Automatic Drain (Type 350 and Type 370 only)  
Float operated drain with 1/8" NPT connection. Maximum 150 psig supply pressure. Minimum 32°F (0°C) temperature.
- F** - 5 Micron Filter  
Standard 25 micron filter is replaced with 5 micron filter for more complete air filtration
- K** - Knob with stainless steel stem
- L** - Low Temperature Operation  
For "Arctic" applications. Good for temperatures range of -61°F to +194°F (-52°C to +90°C). Not suitable for sour natural gas
- N** - Nonrelieving  
For constant flow or downstream pressure relief applications
- X** - ATEX 94/9/EC

#### Accessories

**Panel Nut** -P/N 446-734-052

**Mounting Bracket Kit** -P/N 448-542-011

Includes mounting bracket and panel nut

**Pressure Gauge** -2" face: dual scale: 1/4" NPT centerback connection: stainless steel case and internals

0-30 psig (0-2.0 BAR) P/N 445-725-019

0-60 psig (0-4.0 BAR) P/N 445-725-020

0-160 psig (0-11.0 BAR) P/N 445-725-021

**Bug Screen** - P/N 445-761-005

1/8" NPT stainless steel exhaust screen fitting

### A P P L I C A T I O N S

The Type 350/360/370SS is used extensively by OEMs and end users to supply clean air to pneumatic controllers, transmitters, transducers, valve positioners, air cylinders, and a wide range of pneumatic control systems.

#### Applications include:

Petrochemical processing, both on and offshore

Food, pulp and paper, and pharmaceutical processing

Pollution control

Waste water treatment



8 Columbia Drive / Amherst, NH 03031 USA

Website: [www.controlair.com](http://www.controlair.com)

Email: [sales@controlair.com](mailto:sales@controlair.com)

603-886-9400 FAX 603-889-1844

An ISO-9001:2008 Certified Company

