

Mechanical Differential Pressure Gauges

S2000 Series

- Ranges from ± 0.25 inH2O to 100 inH2O
- Positive or Zero-Center Ranges
- Mounts in Industry-Standard Openings
- $\pm 2\%$ Accuracy
- Die Cast Aluminum Housing

The S2000 series differential pressure gauges are low-cost, diaphragm-operated, mechanical pressure gauges. S2000 gauges can be used in applications for measuring positive, negative, or differential pressure with an accuracy of $\pm 2\%$ in most ranges.

Applications include monitoring filter status, duct static pressure, room pressure, fan or blower pressure, paint booths, dust collectors, and cabinet purging along with many others.

Ranges

See ordering table

Maximum Pressure Range

-20 inHg to 15 psig (-0.68 bar to 1.03 bar)

Accuracy

- $\pm 2\%$ full scale
- $\pm 3\%$ full scale for -0 ranges
- $\pm 4\%$ full scale for -00 ranges

Accuracy applies throughout range at 70°F (21°C)

Calibration

Zeroing screw on front of case

Media Compatibility

Air and compatible non-combustible, non-corrosive gases

Dial

- 3.75" dial with needle pointer
- Optional adjustable signal flag for min or max readings

Monitor the Following

- Clean Rooms, Room Pressure, Glove Boxes
- Fan, Blower, or Duct Static Pressure
- HVAC Filters, Dust Collectors, Cabinet Purging
- Pneumatic Conveyors, Paint Booths

2 Year Warranty



Quick Link
cecomp.com/dp

Housing and Protection

Painted die cast aluminum case and bezel with acrylic cover
Three mounting tabs and screws for panel mounting

Connections

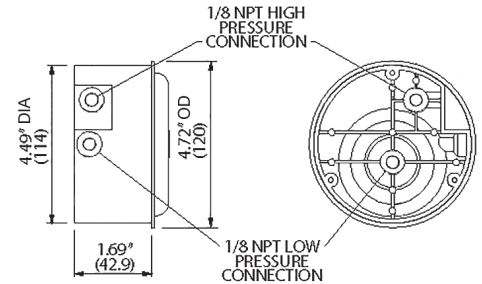
Dual (side and back) 1/8" female NPT high pressure taps
Dual (side and back) 1/8" female NPT low pressure taps
Two 1/8" NPT pipe plugs included to plug extra taps
Two 1/8" NPT barb fittings included for 3/16" ID tubing

Environmental Temperatures

20° to 140°F (-7° to 60°C)
With LT low temperature operation
-20°F to 140°F (-29°C to 60°C)

Weight

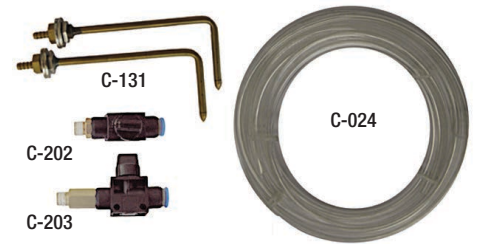
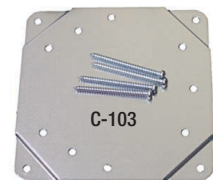
Approximately 1 lb 2 oz (510 g)
Shipping weight 2 pounds



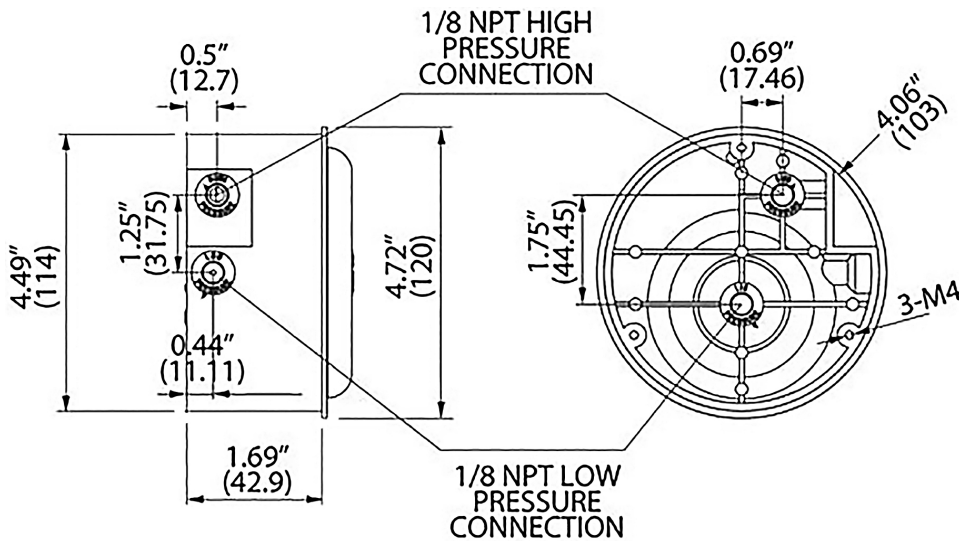
Model	Zero Center Inches w.c.
S2300-0	0.25 - 0 - 0.25 inH2O
S2301	0.5 - 0 - 0.5 inH2O
S2302	1 - 0 - 1 inH2O
S2304	2 - 0 - 2 inH2O
S2310	5 - 0 - 5 inH2O
S2320	10 - 0 - 10 inH2O
Model	Inches w.c.
S2000-00	0 - 0.25 inH2O
S2000-0	0 - 0.5 inH2O
S2001	0 - 1 inH2O
S2002	0 - 2 inH2O
S2003	0 - 3 inH2O
S2004	0 - 4 inH2O
S2005	0 - 5 inH2O
S2006	0 - 6 inH2O
S2008	0 - 8 inH2O
S2010	0 - 10 inH2O
S2015	0 - 15 inH2O
S2020	0 - 20 inH2O
S2025	0 - 25 inH2O
S2030	0 - 30 inH2O
S2050	0 - 50 inH2O
S2100	0 - 100 inH2O
Model	Dual Scale Inches w.c. and Pascals
S2000-00D	0 - 0.25 inH2O 0 - 60 Pa
S2000-0D	0 - 0.5 inH2O 0 - 125 Pa
S2001D	0 - 1 inH2O 0 - 250 Pa
S2002D	0 - 2 inH2O 0 - 500 Pa
S2003D	0 - 3 inH2O 0 - 750 Pa
S2004D	0 - 4 inH2O 0 - 1000 Pa
Model	Dual Scale Inches w.c. and kilo Pascals
S2006D	0 - 6 inH2O 0 - 1.5 kPa
S2008D	0 - 8 inH2O 0 - 2.0 kPa
S2010D	0 - 10 inH2O 0 - 2.5 kPa
S2020D	0 - 20 inH2O 0 - 5.0 kPa

Model	Zero Center Pa
S2300-60PA	30 - 0 - 30 Pa
S2300-120PA	60 - 0 - 60 Pa
S2300-250PA	125 - 0 - 125 Pa
Model	Pascals
S2000-60PA	0 - 60 Pa
S2000-125PA	0 - 125 Pa
S2000-250PA	0 - 250 Pa
S2000-500PA	0 - 500 Pa
S2000-750PA	0 - 750 Pa
Model	kiloPascals
S2000-1KPA	0 - 1 kPa
S2000-1.5KPA	0 - 1.5 kPa
S2000-2KPA	0 - 2 kPa
Model	Zero Center mm w.c.
S2300-12MM	6 - 0 - 6 mmH2O
S2300-20MM	10 - 0 - 10 mmH2O
S2300-50MM	25 - 0 - 25 mmH2O
Model	mm w.c.
S2000-6MM	0 - 6 mmH2O
S2000-10MM	0 - 10 mmH2O
S2000-25MM	0 - 25 mmH2O
S2000-50MM	0 - 50 mmH2O
S2000-100MM	0 - 100 mmH2O
S2000-250MM	0 - 250 mmH2O
Options—add to model number	
-ASF	Adjustable signal flag. Second pointer allows visual check of min or max reading. Screwdriver resettable.
-CH	Chrome bezel
-LT	Low temperature option for operation to -20°F (-29°C). For use in cold weather or freezers.
Special Ranges	
call	Contact factory for other ranges or custom scales

Accessories—order separately	
C-024	Vinyl tubing, 5 feet
C-102	Hanging bracket / Stand
C-103	Surface mounting bracket
C-105	Air filter kit
C-131	Static pressure tip with barbed connection
C-201	Rubber 90 degree fitting for 3/16" ID tubing
C-202	Short shut off valve
C-203	Long shut off valve



Dimensions



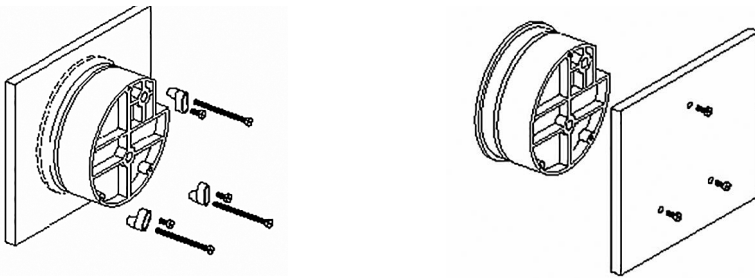
Calibration

The gauge is designed to be mounted in a vertical panel. Other mounting positions may affect accuracy. Periodically, it may be necessary to recalibrate the gauge to maintain the accuracy of the product. To zero the gauge, remove pressure from both ports. Use a small screwdriver to turn the zero adjustment until the pointer is at zero. Reconnect the pressure ports.



Zero Adjustment

Installation



Flush Mounting – For new applications, cut a 4 9/16" diameter hole in the panel. Insert the gauge with the provided gasket through the hole and secure it to the panel with the provided mounting tabs and screws. They fit in industry standard holes ranging from 4 9/16" to 4 13/16". Simply remove the old device and insert the new gauge into the existing cutout.

Surface Mounting – Surface mounting requires the optional rear weatherproof cover. Once the gauge is wired and the cover has been attached, the gauge can be mounted to any flat surface with the four mounting screws provided with the cover.

Pressure Connections

Two pairs of 1/8 NPT female pressure connections are located on the back of the gauge labeled "High Pressure" and "Low Pressure". This allows connections to the back of the gauge or the left side of the gauge (when facing the front).

Included are two 1/8 NPT barbed fittings for 3/16" I.D. tubing. A pair of 1/8 NPT pipe plugs are included to block off unused ports.

For center-zero ranges, if the High connection has a greater absolute value than the Low connection, the needle will move to the right to give a positive value. If the HI connection has a lower absolute value than the LO connection, the needle will move to the left to give a negative value.