

New Ccomp® DSG™ Series SaniGauge™ Sanitary Digital Pressure Gauges

- ±0.25% Accuracy
- 316L SS Wetted Parts
- 3-A Tri-Clamp® Style; 1.5", 2"
- NEMA 4X Rated

- Food Processing
- Breweries
- Pharmaceutical
- Dairy



DSGB1 Battery Powered



DSGB3 Battery Powered Programmable



DSGL1 4-20 mA Loop Powered



DSGL3 4-20 mA Loop Powered



DSGA4 Alarm with 4-20 mA Output Programmable

Cecomp Electronics sanitary digital pressure gauges are designed to excel in monitoring your critical pressures in food, beverage, pharmaceutical, and dairy applications. With 15 years of digital pressure gauge experience our products have a proven track record in harsh industrial environments.

The high quality Tri-Clamp 316L stainless steel diaphragm seal is filled with NEOBEE® M-20. Its low viscosity, thermal stability and food-safety approvals make NEOBEE M-20 the most commonly used fill fluid for sanitary applications. Call us for other fills or configurations.

Ranges

13 ranges to choose from including bipolar and compound Vacuum to 300 psig in all common engineering units

Sanitary Seal

Tri-Clamp flush diaphragm sanitary seal
1.5", 2" sizes (1.5" also fits 1") call for other configurations
NEOBEE M-20 fill
3-A certified
All 316L stainless steel construction
Optional electropolish passivation

Accuracy

±0.25% of full scale ±1 least significant digit
Optional calibration documentation

Housing

NEMA 4X
UV stabilized ABS/polycarbonate case material
Conformal coating on circuit boards for moisture resistance.

Operating Temperature

-4 to 185°F (-20 to 85°C)

DSGB1 and DSGB3 Battery Powered Gauges

2 AA battery powered
3 readings per second display update rate
4 digit LCD, with units display, red LED backlight
Up to 1500 hour battery life
Minimum and/or maximum readings
Selectable engineering units
Configurable auto shutoff times

DSGB1 Features

Simple one button operation
Pass code protected setup and calibration via internal buttons

DSGB3 Features

Three button keypad operation
Pass code protected setup and calibration via keypad

DSGL1 and DSGL3 Loop Powered Transmitters

4-20 mA output, 8 to 32 VDC loop powered
Test button allows testing of transmitter output

DSGL1 Features

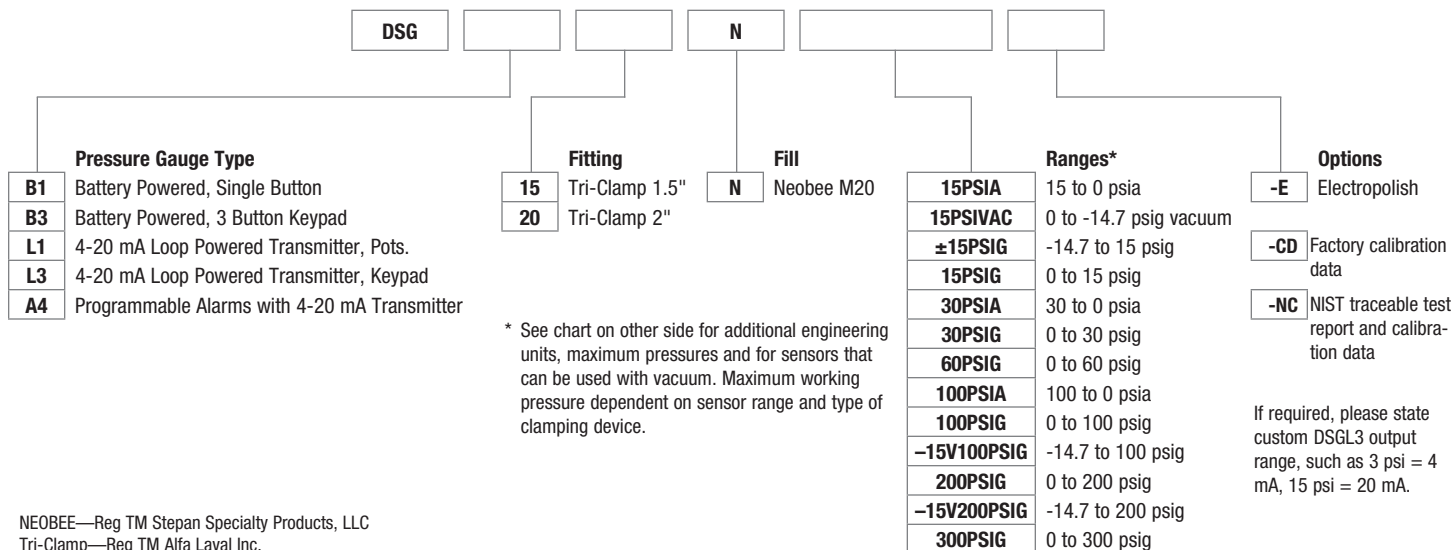
Front zero and span potentiometers
3.5 digit LCD, 0.5" H (indicates to 1999)
3 readings per second display update rate
True analog output, 50 millisecond typical response time

DSGL3 Features

Three button keypad operation
4 readings per second display update rate
4 digit LCD, 0.5" H and 0.25" H alphanumeric
Output updated approximately 16 times per second
Custom 4-20mA output vs pressure available

DSGA4 Alarm with Transmitter

8 to 24 VAC 50/60 Hz or 9 to 32 VDC powered
4 readings per second display update rate
4 digit LCD, 0.5" H and 0.25" H alphanumeric
Red LED backlight
Bi-color (red/green) LED alarm indicators
Four button keypad operation
Pass code protected setup and calibration via keypad
Test button allows testing of transmitter output and alarms
User programmable dual form C (SPDT) relay contacts
1A/24VDC, 0.5A/115VAC, non-inductive
120 milliseconds typical response time
User programmable 4-20 mA current output
Updated approximately 16 times per second



NEOBEE—Reg TM Stepan Specialty Products, LLC
Tri-Clamp—Reg TM Alfa Laval Inc.



Division of **ABSOLUTE PROCESS INSTRUMENTS, Inc.**

1220 American Way Libertyville, IL 60048
Phone: 800-942-0315 Fax: 800-949-7502

cecomp.com
© 03-14

Sanitary Gauge Ranges

Common engineering units are shown below. Consult factory for additional or custom engineering units.

Pounds/sq. inch	Range Code	PSI
15-0 psia	15PSIA	15.0 abs
0-14.7 psi vac	15PSIGVAC	-14.7
-14.7-15 psi	±15PSIG	-14.7-15.0
0-15 psi	15PSIG	15.0
30-0 psia	30PSIA	30.0 abs
0-30 psi	30PSIG	30.0
0-60 psi	60PSIG	60.0
100-0 psia	100PSIA	100.0 abs
-14.7-100 psi	-15V100PSIG	-14.7-100.0
0-100 psi	100PSIG	100.0
-14.7-200 psi	-15V200PSIG	-14.7-200
0-200 psi	200PSIG	200
0-300 psi	300PSIG	300
InHg/psig	Range Code	PSI
-29.9 inHg-15 psi	-30V15PSIG	-14.7-15.0
-29.9 inHg-100 psi	-30V100PSIG	-14.7-100.0
-29.9 inHg-200 psi	-30V200PSIG	-14.7-200.0
inches Hg (0°C)	Range Code	PSI
30-0 inHg abs	30INHGA	14.7 abs
0-29.9 inHg vac	30INHGVAC	-14.7
-29.9-30.0 inHg	±30INHGG	±14.7
0-30 inHg	30INHGG	14.7
60-0 inHg abs	60INHGA	29.5 abs
0-60 inHg	60INHGG	29.5
0-120 inHg	120INHGG	58.9
200-0 inHg abs	200INHGA	98.2 abs
0-200 inHg	200INHGG	98.2
-29.9-200 inHg	-30V200INHGG	-14.7-98.2
0-400 inHg	400INHGG	196.0
-29.9-400 inHg	-30V400INHGG	-14.7-196
0-600 inHg	600INHGG	295
mmHg (0°C)	Range Code	PSI
760-0 mmHg abs	760MMHGA	14.7 abs
0-760 mmHg vac	760MMHGVAC	-14.7
±760 mmHg	±760MMHGG	±14.7
0-760 mmHg	760MMHGG	14.7
1600-0 mmHg	1600MMHGA	30.9 abs
0-1600 mmHg	1600MMHGG	30.9
Torr (0°C)	Range Code	PSI
760-0 Torr	760TORRA	14.7 abs
1600-0 Torr	1600TORRA	30.9 abs
Ounces/sq. inch	Range Code	PSI
240-0 oz/in ² abs	240ZINA	15.0 abs
0-235 oz/in ² vac	240ZINVAC	-14.7
-235-240 oz/in ²	±240ZING	-14.7-15.0
0-240 oz/in ²	240ZING	15.0
0-480 oz/in ² abs	480ZINA	30.0 abs
0-480 oz/in ²	480ZING	30.0

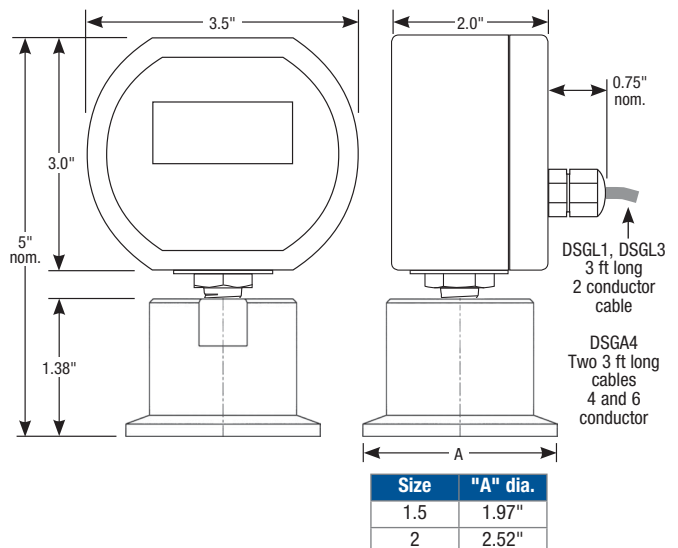
DSGL1 with 3.5 digit display indicates up to 19.99, 199.9, or 1999. 4 digit display offers higher resolution in most ranges.

Inches H2O (20°C)	Range Code	PSI
400-0 inH ₂ O abs	400INH2OA	14.5 abs
0-408 inH ₂ O vac	400INH2OVAC	-14.7
±408 inH ₂ O	±400INH2OG	±14.7
0-400 inH ₂ O	400INH2OG	14.5
850-0 inH ₂ O abs	850INH2OA	30.7 abs
0-850 inH ₂ O	850INH2OG	30.7
Feet H2O (20°C)	Range Code	PSI
0-35 ftH ₂ O	35FTH2O	15.2
0-70 ftH ₂ O	70FTH2O	30.3
0-140 ftH ₂ O	140FTH2O	60.7
0-230 ftH ₂ O	230FTH2O	99.7
0-480 ftH ₂ O	480FTH2O	208
0-700 ftH ₂ O	700FTH2O	303
cm H ₂ O (20°C)	Range Code	PSI
1000-0 cmH ₂ O abs	1000CMH2OA	14.2 abs
0-1000 cmH ₂ O vac	1000CMH2OVAC	14.2 vac
±1000 cmH ₂ O	±1000CMH2OG	±14.2
0-1000 cmH ₂ O	1000CMH2OG	14.2
0-2000 cmH ₂ O	2000CMH2OG	28.4
0-2100 cmH ₂ O	2100CMH2OG	29.9
Millibar	Range Code	PSI
1000-0 mbar abs	1000MBARA	14.5 abs
0-1013 mbar vac	1000MBARVAC	-14.7
-1013-1000 mbar	±1000MBARG	-14.7-14.5
0-1000 mbar	1000MBARG	14.5
2000-0 mbar abs	2000MBARA	29.0 abs
0-2000 mbar	2000MBARG	29.0
0-4000 mbar	4000MBARG	58.0
Bar	Range Code	PSI
1-0 bar abs	1BARA	14.5 abs
1.01 bar vac	1BARVAC	-14.7
-1.01-1 bar	±1BARG	-14.7-14.5
0-1 bar	1BARG	14.5
2-0 bar abs	2BARA	29.0 abs
0-2 bar	2BARG	29.0
0-4 bar	4BARG	58.0
7-0 bar abs	7BARA	102.0 abs
-1.01-7 bar	-1V7BARG	-14.7-102.0
0-7 bar	7BARG	102.0
-1.01-14 bar	-1V14BARG	-14.7-203
0-14 bar	14BARG	203
0-20 bar	20BARG	290

Minus sign optional for vacuum models. 15 psig, 100 psig, 200 psig, and absolute sensors can be use for vacuum service.

kiloPascals	Range Code	PSI
100-0 kPa abs	100KPAA	14.5 abs
0-101 kPa vac	100KPAVAC	-14.7
-101-100 kPa	±100KPAG	-14.7-14.5
0-100 kPa	100KPAG	14.5
200-0 kPa abs	200KPAA	29.0 abs
0-200 kPa	200KPAG	29.0
0-400 kPa	400KPAG	58
700-0 kPa abs	700KPAA	102.0 abs
-101-700 kPa	-100V700KPAG	-14.7-102.0
0-700 kPa	700KPAG	102.0
-101-1400 kPa	-100V1400KPAG	-14.7-203
0-1400 kPa	1400KPAG	203
0-2000 kPa	2000KPAG	290
grams/cm ²	Range Code	PSI
1000-0 g/cm ² abs	1000GMA	14.2 abs
0-1037 g/cm ² vac	1000GCMVAC	-14.7
0-1000 g/cm ²	1000GCMG	14.2
2000-0 g/cm ² abs	2000GMA	28.4 abs
0-2000 g/cm ²	2000GCMG	28.4
2100-0 g/cm ² abs	2100GMA	29.9 abs
0-2100 g/cm ²	2100GCMG	29.9
kilograms/cm ²	Range Code	PSI
1-0 kg/cm ² abs	1KGMA	14.2 abs
0-1.03 kg/cm ² vac	1KGC MVAC	-14.7
-1.03-1 kg/cm ²	±1KGC MG	-14.7-14.2
0-1 kg/cm ²	1KGC MG	14.2
2-0 kg/cm ² abs	2KGMA	28.4 abs
0-2 kg/cm ²	2KGC MG	28.4
0-4 kg/cm ²	4KGC MG	56.9
7-0 kg/cm ² abs	7KGMA	99.6 abs
-1.03-7 kg/cm ²	-1V7KGC MG	-14.2-99.6
0-7 kg/cm ²	7KGC MG	99.6
-1.03-14 kg/cm ²	-1V14KGC MG	-14.2-199
0-14 kg/cm ²	14KGC MG	199
0-20 kg/cm ²	20KGC MG	284
Atmospheres	Range Code	PSI
1-0 atm abs	1ATMA	14.7 abs
0-1 atm vac	1ATMVAC	-14.7
±1 atm	±1ATMG	±14.7
0-1 atm	1ATMG	14.7
0-2 atm abs	2ATMA	29.4 abs
0-2 atm	2ATMG	29.4
0-4 atm	4ATMG	58.8
-1-7 atm	-1V7ATMG	-14.7-103.0
0-7 atm	7ATMG	103.0
-1-14 atm	-1V14ATMG	-14.7-206
0-14 atm	14ATMG	206
0-20 atm	20ATMG	294

Range Code	DSGL1 Std. Range & Resolution	DSGB1, DSGB3, DSGL3, DSGA4 Std. Range & Resolution	Vacuum Service	1.5" Tri- Clamp Max. psi	2" Tri- Clamp Max. psi
±15PSIG	-14.7 to 15.0 psig	-14.70 to 15.00 psig	Yes	30 psig	30 psig
15PSIA	15.00 to 0 psi absolute	15.00 to 0 psi absolute	Yes	30 psig	30 psig
15PSIVAC	0 to 14.70 psig vac.	0 to 14.70 psig vac.	Yes	30 psig	30 psig
15PSIG	0 to 15.00 psig	0 to 15.00 psig	Yes	30 psig	30 psig
30PSIA	30.0 to 0 psi absolute	30.00 to 0 psi absolute	Yes	60 psig	60 psig
30PSIG	0 to 30.0 psig	0 to 30.00 psig	No	60 psig	60 psig
60PSIG	0 to 60.0 psig	0 to 60.00 psig	No	120 psig	120 psig
100PSIA	100.0 to 0 psi absolute	100.0 to 0 psi absolute	Yes	200 psig	200 psig
-15V100PSIG	-14.7 to 100.0 psig	-14.7 to 100.0 psig	Yes	200 psig	200 psig
100PSIG	0 to 100.0 psig	0 to 100.0 psig	Yes	200 psig	200 psig
-15V200PSIG	-14.7 to 199.9 psig	-14.7 to 200.0 psig	Yes	400 psig	400 psig
200PSIG	0 to 199.9 psig	0 to 200.0 psig	Yes	400 psig	400 psig
300PSIG	0 to 300 psig	0 to 300.0 psig	No	600 psig	550 psig



Cecomp maintains a constant effort to upgrade and improve its products. Specifications are subject to change without notice. Consult factory for your specific requirements.