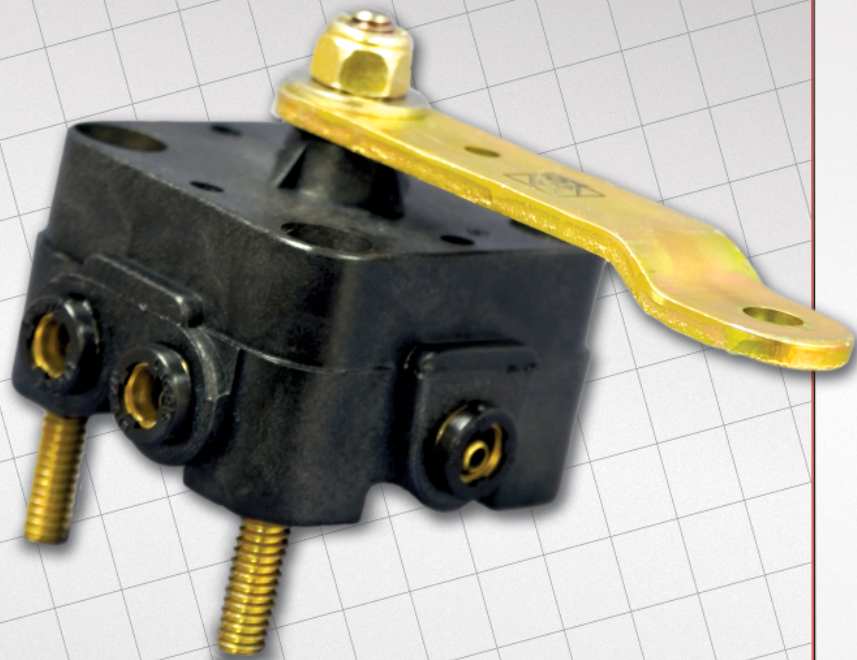


55521 Series
55521 Series
Cab Air Suspension Valve



- ▶ Shear-Seal® Technology
- ▶ Accurate Ride Height
- ▶ Push-To-Connect Fittings

Barksdale
CONTROL PRODUCTS
CRANE Barksdale, Inc./Barksdale GmbH
A Subsidiary of Crane Co.

The 55521 Air Suspension Valve utilizes Barksdale's patented Shear-Seal® technology to accurately control suspension height in commercial and recreational vehicle applications. Shear-Seal® has become the industry leader through superior performance and long life, even under the most demanding conditions.

Barksdale height control valves feature proportional response and are available in both low flow and high flow configurations. These features combine to minimize air consumption without the use of inaccurate and failure prone time delay elements found in competing products.

Available push-to-connect fittings and single or dual bag ports allow for easy and fast installation. The Barksdale valve's compact design and Barksdale's ability to customize the product make it a perfect fit on any suspension.

Features

- ▶ Shear-Seal® Technology provides superior performance and durability
- ▶ Precise dead band optimizes ride height control
- ▶ Proportional flow reduces vehicle air consumption
- ▶ Standard push-to-connect fittings ease installation
- ▶ 120 or 350 l/min (4.2 to 12.4 CFM) peak flow balances suspension response and air use
- ▶ Single or Dual outlet ports simplify hose routings
- ▶ Compact size and flexible design fits any application

Operating Media	Air
Seal Type	Shear-Seal®
Operating Pressure	130 PSI (9 bar) Maximum
Operating Temperature	-40°F to +150°F (-40°C to +65°C)
Flow Curve	Proportional response
Maximum Flow Rate	Low flow: 120 L/Min (4.2 cfm) Standard flow: 350 L/Min (12.4 cfm)
Port Size	1/4" Push in tube* 6mm Push in tube* *DOT approved
Delivery Ports (Bag ports)	Single or dual delivery ports
Mounting Studs	1/4-20 UNF or M6
Linkage Mounting Hole	0.25" (6.3 mm) or 0.38" (9.5 mm)
Maximum Handle Movement	+/- 75° For fill or exhaust



Applications

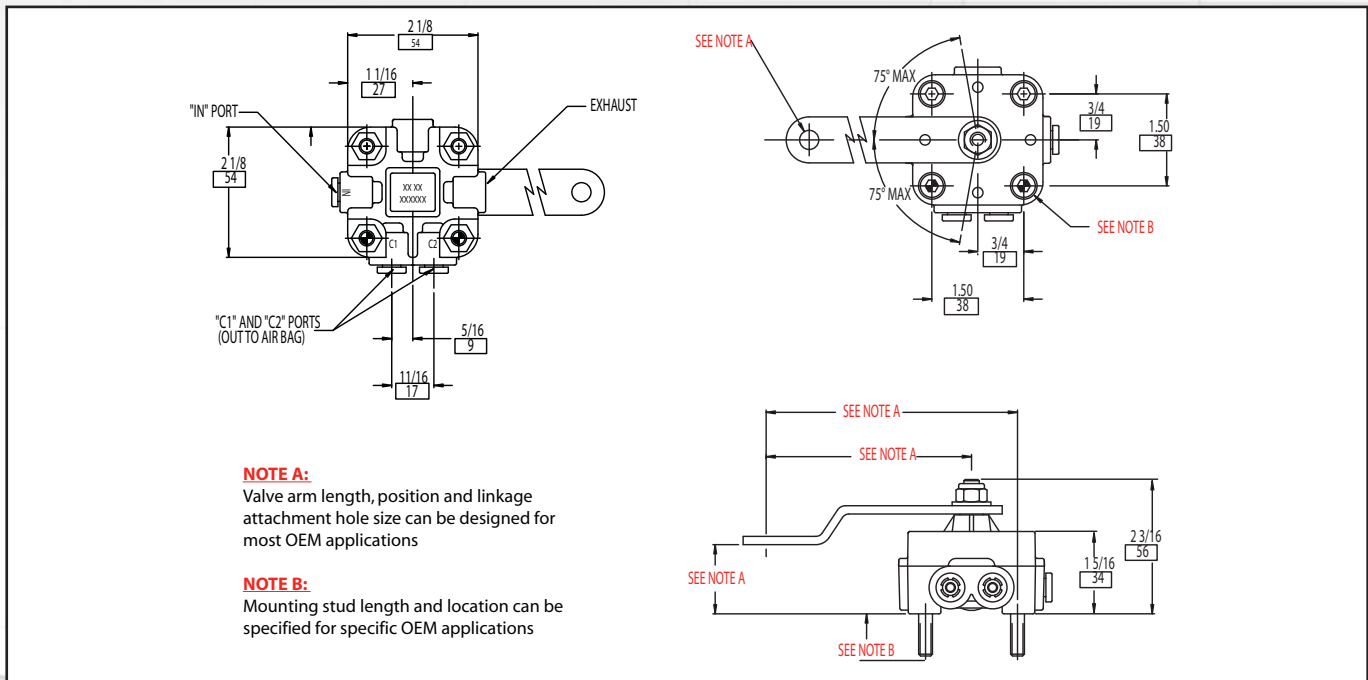
- ▶ Tractor
 - Single Valve Cab Suspension
 - Dual Valve Cab Suspension
 - Front Suspension
- ▶ Trailer
- ▶ RV

Materials Of Construction	Body & Housing: Engineered plastics
	Arm: Zinc plated steel
Weight (typical)	Internal Elements: Stainless steel and hard anodized aluminum
	Seals: Buna-N

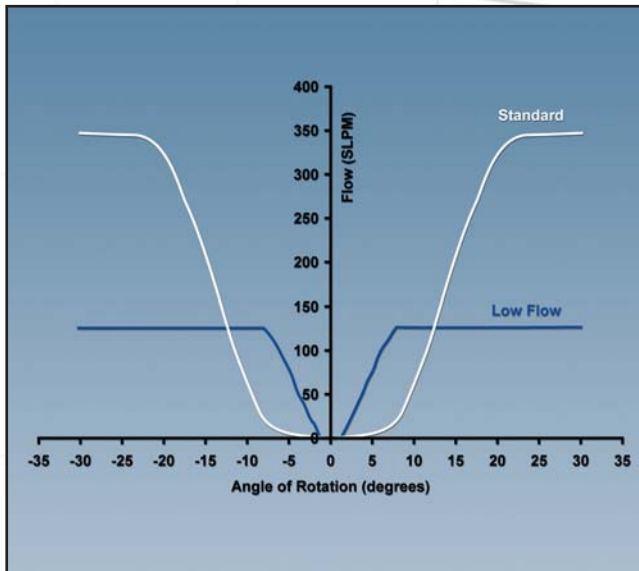
Additional Options Available

- ▶ Arm length
- ▶ Arm Orientation
- ▶ Mounting stud location
- ▶ Mounting stud length
- ▶ Mounting brackets

Technical Drawings



Barksdale Valve Flow Curve



Barksdale's patented proportional air flow design optimizes air usage within the vehicle air suspension system. The Barksdale height control valve reacts instantly to large suspension movement, providing maximum rated flow to rapidly restore vehicle ride height. Smaller changes in ride height result in proportional reductions in the volume of air flow to or from the air springs. Air is conserved and ride height overshoot and undershoot are virtually eliminated.

Barksdale's precise and highly repeatable deadband results in exact control of vehicle and cab ride height. This maintains critical driveline geometry while yielding a smooth ride and ensuring years of reliable service.

Engineered Solutions



Barksdale specializes in engineered solutions that exceed customer expectations.

The Barksdale height control valve is highly adaptable, including customized:

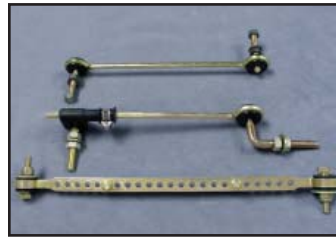
- ▶ Actuating arm length, offset, attachment points
- ▶ Mounting stud length, and location, and threads
- ▶ Threaded SAE & metric ports and push to connect fittings
- ▶ Ready to bolt on sub-assemblies with brackets, linkages and fasteners

Barksdale has a solution for every application. Let us find one for you.

Accessory Components



Barksdale Pressure Protection Valves (PPV) optimize the safety of your installation. This critical valve from Barksdale comes with male inlet threads for direct connection into your air reservoir. It is factory calibrated for the exact operating pressure required.



Barksdale offers several linkage options for use with Barksdale Air Suspension valves. Available in both fixed length and adjustable length these linkages provide a reliable connection between the air suspension valve and the suspension.



Global Presence

Barksdale Inc.
3211 Fruitland Ave.
Los Angeles, CA 90058-0843
U.S.A.
Phone: (866) 832-6278
Fax: (323) 586-3067
Email: transportation@barksdale.com
www.barksdale.com

Barksdale GmbH
Dorn-Assenheimer Strasse 27
61203 Reichelsheim, Germany
Phone: (49) 6035-949-0 (main office)
(49) 6035-949-204 (sales)
Fax: (49) 6035-949-111/-113
Email: info@barksdale.de
www.barksdale.de

Barksdale
CONTROL PRODUCTS
CRANE Barksdale, Inc./Barksdale GmbH
A Subsidiary of Crane Co.