



Oval Gear Transmitter

Models OGT and OGT-SF, 1/2 inch

DESCRIPTION

The Models OGT and OGT-SF electronic lube meters are designed specifically to dispense motor oils (SAE 5...50), gear oils (SAE 80...240), automatic transmission fluid, antifreeze (Ethylene Glycol), brake fluid, windshield wiper fluid, and engine coolant solutions. Modular design, low cost, lightweight and rugged make the OGT the best choice for automated dispensing systems.

The transmitter mounted on the meter can be wired to batch controllers, remote counters and other electronically operated instruments that can accept pulses from a reed switch, and have scaling capabilities. The oval gear transmitter is contained in a plastic housing.

OPERATION

As fluid passes through the metering chamber by entering the inlet port, the internal gears rotate, forcing the fluid to exit through the outlet port. Each rotation of the gear displaces a given volume of fluid. Controlled clearances between the gears and chamber wall minimize leakage.

As the gears rotate, a magnet on each end of the gear causes the reed switch to open and close. Contact closures from the switch are transmitted to a remote batch controller or counter.

APPLICATION

This transmitter is normally connected to metering systems that have scaling capabilities and that can accept a reed switch pulse.

Typical applications are automated motor oil batching systems, antifreeze dispensing systems and other applications that require totalizing meter flow and monitoring rate of fluid flow passing through the meter.

NOTE: The use of meters in applications other than those described in this material may result in inaccuracy and possible meter failure. Each meter is designed for use with a specific type of fluid. Do not use petroleum-based products in a meter designed for water-based fluids, or water-based fluids in a meter designed for petroleum-based products. It is also important that fluids be properly filtered before entering the meter. Foreign particles will cause inaccuracy or malfunction of the meter. Warranties are void in the circumstances described above.



FEATURES

- 1500 psi rating
- Leakproof magnetic drive
- Does not require external power
- Rugged, corrosion-resistant plastic enclosure
- Hermetically sealed reed switch output
- Compatible with most flow controllers and counters with scaling capabilities
- Contains only two parts, which reduces maintenance costs
- Accuracy to $\pm 0.75\%$
- Humidity- and moisture-resistant transmitter
- Two year limited warranty



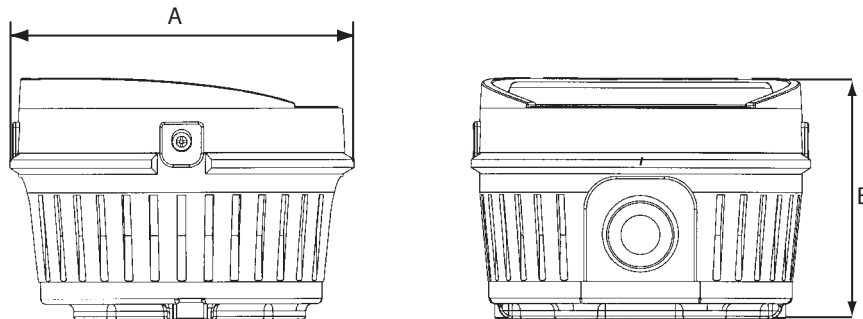
SPECIFICATIONS

Model OGT is used for petroleum-based product applications.

Model OGT-SSF is required for wiper fluids, brake fluid, and engine coolant mixed with water.

Meter Model	OGT	OGT-SF Special Fluids Meter
Maximum Flow	8 gpm (30 lpm)	6 gpm (23 lpm)
Minimum Flow	0.25 gpm (1 lpm)	1.0 gpm (3.8 lpm)
Operating Pressure (Maximum)	1500 psi (103 bar)	
Operating Pressure (Minimum)	5 psi (0.35 bar)	
Operating Temperature (Maximum)	140° F (60° C)	
Operating Temperature (Minimum)	20° F (-70° C)	
Accuracy	± 0.75%	
Weight	2.0 lb (0.9 kg)	
Pulse Rate	95 pulses/quart (100 pulses/liter)	
Read Switch Rating	120V AC @ 10 watts	
Inlet & Outlet Connections	1/2" NPTF (1/2" BSPP)	

DIMENSIONS



Dimension	Size
A	4.00 in. (101.6 mm)
B	2.75 in. (70 mm)

Control. Manage. Optimize.

Trademarks appearing in this document are the property of their respective entities. Due to continuous research, product improvements and enhancements, Badger Meter reserves the right to change product or system specifications without notice, except to the extent an outstanding contractual obligation exists. © 2016 Badger Meter, Inc. All rights reserved.

www.badgermeter.com