

"AE" Air Eliminator

Introduction

The "AE" air eliminator solves many of the problems associated with air or gas presence in pumped liquids. Line vibration due to 2-phase flow, poor flow meter measurement accuracy, and product quality issues are a few of the more common negative effects of gas presence in a liquid. As the name suggests, the "AE" series Air Eliminator is designed to remove the air or gas present in these product streams. Designed to be located after the pumping device in a positive pressure line, product enters at a tangent to the wall of the vessel, the resultant force stratifies the incoming product putting the heavier liquid towards the wall with the lighter aerated product separating towards the center. This separation is then completed by allowing only the liquid at the outer wall to exit the vessel at the bottom located outlet. When a sufficient quantity of air is collected at the center it is automatically vented at the top of the vessel. The fully mechanical design means that no additional control boxes or electrical wiring is needed to operate, simplifying installation and reducing long term ownership cost. Applications for the "AE" can vary from intake receiving systems where the "AE" is used to remove air for proper measurement, to the supply of a filling process for improvement of portion control.

Complete specifications and ordering information is available on the reverse. For more information please visit our web site at www.anderson-negele.com, or contact your local authorized Anderson-Negele Distributor.

Authorizations



Features

- Eliminates air from product for accurate meter operation
- Positive pressure operation
- Maintains consistent system flood volume
- 3-A compliant; Third party verified

Applications

- Milk
- Cream
- Water
- Juices



Specifications

PERFORMANCE

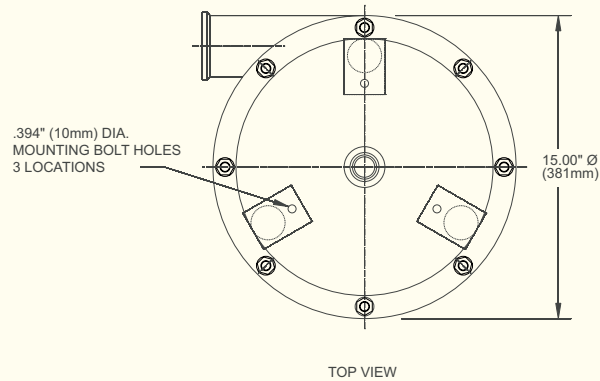
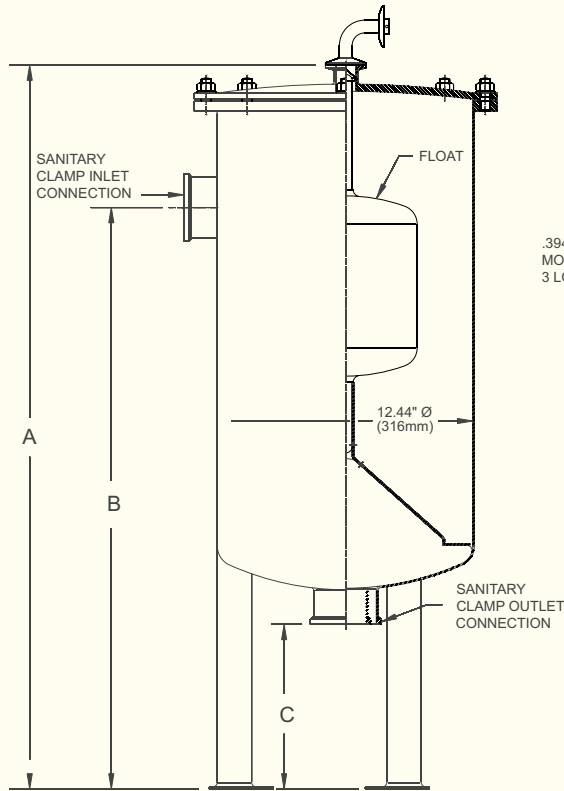
Maximum Flowrate: 300 gpm (1100 l/min)
 Operational Pressure Range: 0-65 psig (1-4.5bar)

MATERIALS / CONSTRUCTION

Housing and Internal Components: 304SS & 316LSS
 Gaskets: Buna

OPERATING / ENVIRONMENTAL

Maximum Temperature: 250°F (121°C)
 Connection: Sanitary clamp
 Sizes Available: 2", 3"



Size	A	B	C
2"	32.4" (824mm)	26.5" (672mm)	6.0" (153mm)
3"	34.7" (882mm)	28.7" (730mm)	8.3" (210mm)

Order Information

AE - [] [] 01

TYPE

- 2 2" Clamp Connection
- 3 3" Clamp Connection